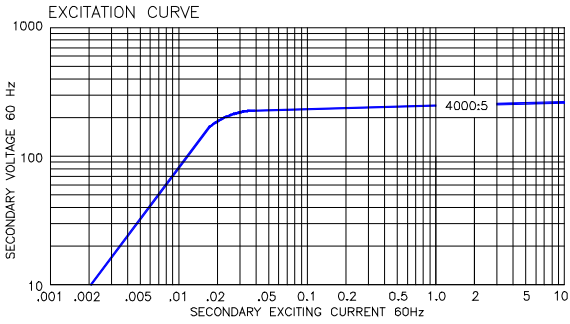
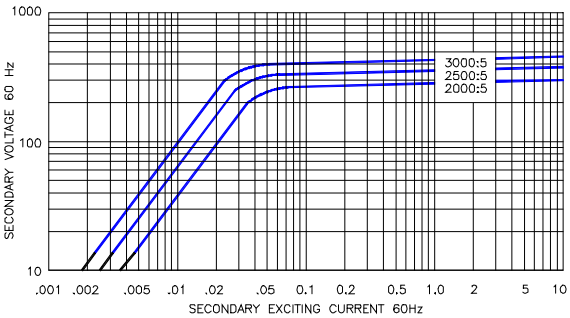


Model CTO

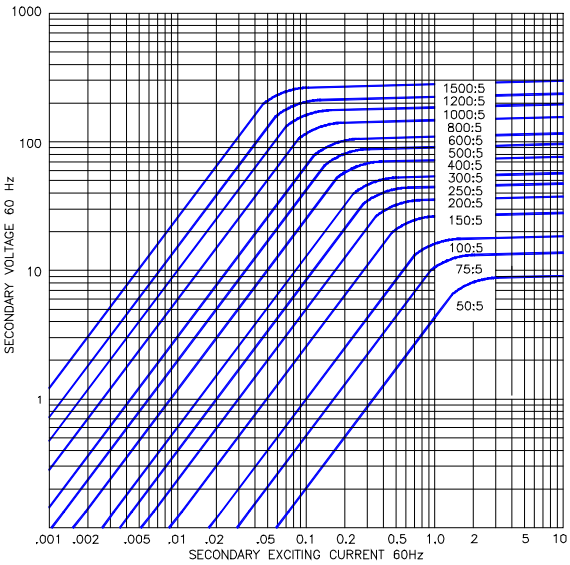


By itself the CT is rated 600 Volt class, 10kV BIL.
With suitable spacing and insulated bus, a higher voltage class, and impulse level can be achieved, including 5kV, 60kV BIL and 15kV, 110kV BIL.

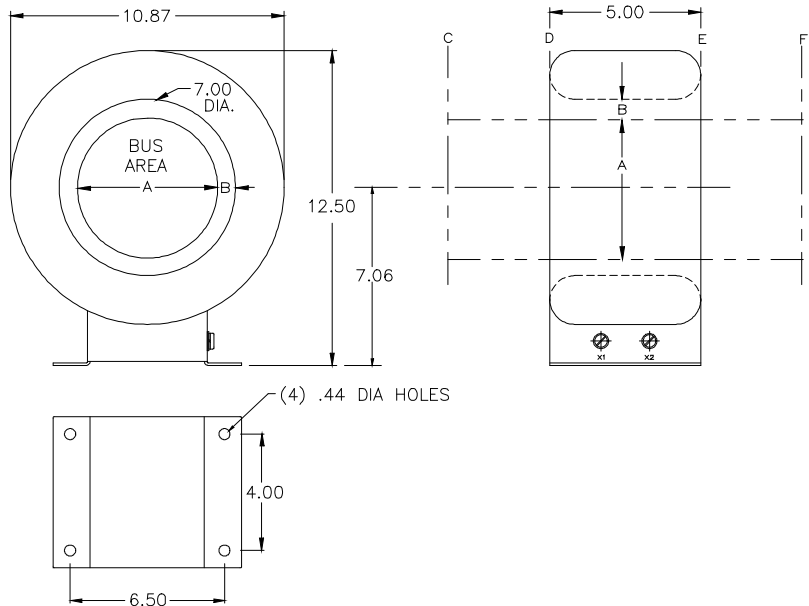


The following applies **ONLY** after proper installation of bus bar.

CLASS	BIL	HI POT	A dia.	B min.	C-D	E-F	G min.
5kV	60kV	19kV	5.75"	0.62"	4.0"	4.0"	0.060
8.7kV	75kV	26kV	5.5"	0.75"	5.0"	5.0"	0.100
15kV	95kV	36kV	5.0"	1.0"	5.5"	5.5"	0.100
15kV	110kV	36kV	5.0"	1.0"	5.5"	5.5"	0.100
15kV	110kV	36kV	4.0"	1.5"	7.0"	7.0"	0.100



No sharp object should occur close to zones C-D and E-F. Only full radius edge bus bar is recommended. Zone A can accommodate (1) 1/2x5 bus bar, or multiples of 1/2x4 with 1/2" spacing to suit. Other sizes like 1/4" and 3/8" can also be used.



The bus bar (s) must be effectively held within zone A, Providing minimum spacing B all around. No bends or joints can occur in zones C-D and E-F. Bus bar coverage of suitable resin of thickness G, must be continuous from at least C to F with no breaks, pin holes or weak spots. CT's can be installed in tandem, with 1/2" spacing and observe zones C-D and F-F at either end.