

# Current Transformer

**Model IE65F**

rev 032916

## CERTIFICATIONS:



ISO 9001  
Registered  
Quality  
Management



**APPLICATION:**

Metering

**FREQUENCY:**

50/60 Hz.

**INSULATION LEVEL:**

720 Volts. 10 kV BIL. full wave

**APPROXIMATE WEIGHT:**

0.40 kg

**CONNECTIONS:**

Secondary terminals screw clamp up to 10mm<sup>2</sup> cable. 'Fast on' 6.3mm type. Integral Terminal Cover IP20B

**ENCLOSURE CODE:**

IP40

**INSULATION CLASS:**

Class E BS2757 IEC85

**COMPLIES WITH / APPROVALS:**

IEC60044-1:2003 / BSEN61010-1, EN60044-1

**MOUNTING HARDWARE OPTION:**

Order p/n: IE65F-FIXING-KIT

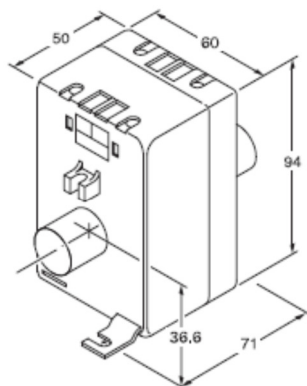
<b>Model</b>	<b>IE65F</b>
<b>Window Size</b>	20 x 10mm 23mm diameter
<b>Width</b>	60mm
<b>Height</b>	94mm
<b>Depth</b>	50mm

### MODEL IE65F

CATALOG NUMBER	CURRENT RATIO	VA at Class 3	VA at Class 1	VA at Class 0.5
IE65F-30/5	30:5	1.25	-	-
IE65F-40/5	40:5	2.5	-	-
IE65F-50/5	50:5	2.5	-	-
IE65F-60/5	60:5	3.75	-	-
IE65F-75/5	75:5	5	2.5	-
IE65F-80/5	80:5	5	2.5	-
IE65F-100/5	100:5	7.5	5	2.5
IE65F-125/5	125:5	7.5	5	2.5
IE65F-150/5	150:5	15	10	5
IE65F-200/5	200:5	20	15	7.5
IE65F-250/5	250:5	20	20	10
IE65F-300/5	300:5	30	30	10

Note: Change the end suffix to depict required secondary. For example IE65F-125/1.

### DIMENSIONS



Products are manufactured in a plant whose quality management system is certified / registered as being in conformity with ISO 9001