

SUPERBUTE™ JKW-4

OUTDOOR CURRENT TRANSFORMER

8700V, 5A to 800A, 50/60Hz
75kV BIL



APPLICATIONS

Designed for outdoor service; suitable for operating meters, relays, and control devices. Rated Station Class with higher burden and extra creep distance. Available in a variety of ratio as outlined in the unit selection table below, with additional designs available upon request.

FEATURES

- Weight: 40lbs (unit), 48lbs (shipping)
- Dimensions: 12.94" (h) x 9.38" (w) x 7.88" (d)
- Creep Distance: 12.5" [317.5mm]
- Strike Distance: 7" [177.8mm]
- Insulation: HY-BUTE 60™ Butyl Rubber
- Insulation Class: 75kV BIL, Outdoor
- Design Standard: IEEE C57.13
- Measurement Canada Approval: SD-EA-0390

REFERENCE DRAWINGS & ACCESSORIES

Accuracy Curve(s) at 60Hz

- 9689241518

Excitation Curve(s)

- 9932600018

Accessories

- "L" Mounting Brackets - 8944634001
- Auxiliary "L" Mounting Brackets - 8944270001
- Channel Bracket - 5466227001
- Suspensions Hooks - 8944630001
- Secondary Conduit Box - 9689897001

UNIT SELECTION

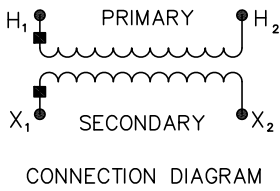
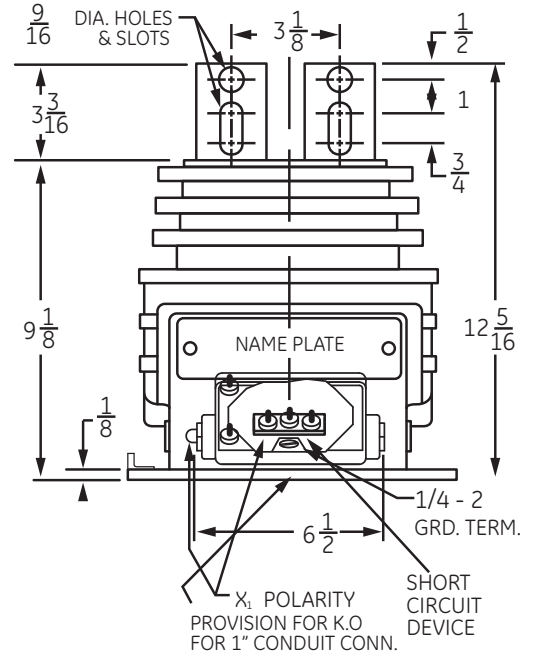
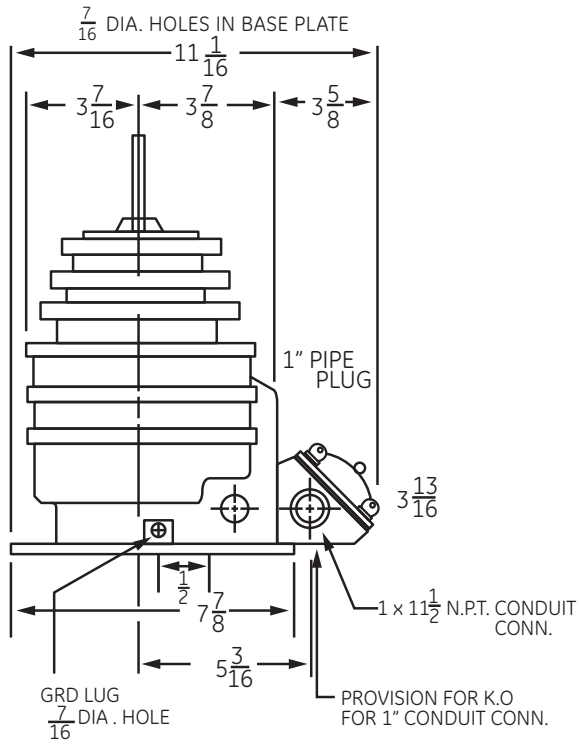
CURRENT RATIO	METER CLASS	RELAY CLASS	RF ¹	MECHANICAL LIMIT, AMPS	1-SEC THERMAL LIMIT, AMPS	CATALOG NUMBER
10:5	0.3B1.8	T100	1.5	1100	930	754X050002
15:5	0.3B1.8	T100	1.5	1650	1470	754X050003
20:5	0.3B1.8	T100	1.5	2200	1850	754X050004
25:5	0.3B1.8	T100	1.5	2750	2300	754X050005
30:5	0.3B1.8	T100	1.5	3300	2450	754X050006
40:5	0.3B1.8	T100	1.5	4400	3700	754X050007
50:5	0.3B1.8	T100	1.5	5500	4600	754X050008
75:5	0.3B1.8	T100	1.5	8250	6400	754X050009
100:5	0.3B1.8	T100	1.5	11000	8600	754X050010
150:5	0.3B1.8	T100	1.5	16500	12800	754X050011
200:5	0.3B1.8	T100	1.5	22000	17300	754X050012
300:5	0.3B1.8	T100	1.5	33000	25700	754X050014
400:5	0.3B1.8	T100	1.5	44000	36000	754X050015
600:5	0.3B1.8	T100	1.5	66000	51500	754X050017
800:5	0.3B1.8	T100	1.25	80000	67000	754X050018

1. "RF" is defined as Continuous Thermal Rating Factor at 30°C, ambient
2. Dual ratio with tapped secondary ratios are available. Please contact the factory.

SELECTION GUIDE

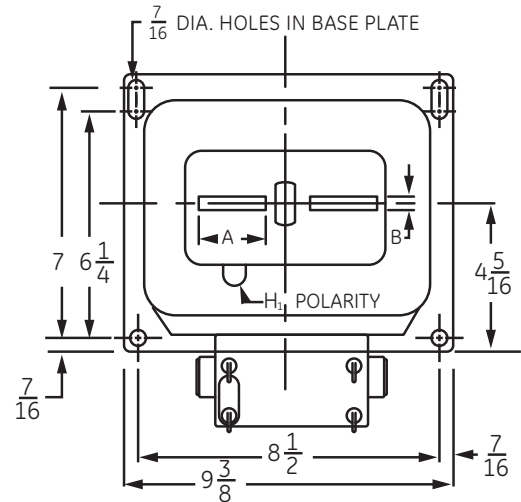
PRODUCT CLASS	5KV	8.7KV	15KV	25KV	35KV	46KV	69KV
STATION CLASS	JKW3	JKW4	JKW5	JKW150	JKW200	JKW250	JKW350
BIL	60kV BIL	75kV BIL	110kV BIL	150kV BIL	200kV BIL	250kV BIL	350kV BIL
Accuracy, RF	0.3B1.8, RF 1.5	0.3B1.8, RF 1.5	0.3B1.8, RF 1.5	0.3B1.8, RF 2.0/1.5	0.3B1.8, RF 2.0/1.5	0.3B1.8, RF 2.0/1.5	0.3B1.8, RF 2.0/1.5
Relay Class	T100	T100	T200	T200/T400	T200/T400	T200/T400	T200/T400
Creep Distance	12.5"	12.5"	24"	44.1"	56.6"	71.0"	86.6"
Net Weight	40lbs	40lbs	60lbs	323lbs	348lbs	543lbs	593lbs
DISTRIBUTION CLASS	JCK3	JCK4	JCK5	JKW6	JKW7		
BIL	60kV BIL	75kV BIL	110kV BIL	150kV BIL	200kV BIL		
Accuracy, RF	0.3B0.5, RF 3.0	0.3B0.5, RF 3.0	0.3B0.5, RF 3.0	0.3B0.9, RF 3.0	0.3B0.5, RF 3.0		
Relay Class	---	---	---	T100 or T200	---		
Creep Distance	15.5"	15.5"	15.5"	24"	27.6"		
Net Weight	35lbs	35lbs	35lbs	80lbs	72lbs		

DIMENSIONS, MOUNTING & WIRING DIAGRAM



TERMINAL SIZE

AMP	A	B
5 TO 150	1 1/2	3/16
200, 250 300, 400	2	1/4
500, 600 800	2	3/8



TYPICAL NAMEPLATE

	Current Transformer	Type JKW-4	Ratio 200:5 Amp	
○	Bil 75kV 50-60 Hz NSV 8.7 kV RF = 1.5 @ 30°C Amb Acc CI @ 60Hz 0.3 B-0.1 THRU B-1.8, T100			APPR#SD-EA-039C
	Caution: Read GEH-230	Cat. 754X050012		Mfd. 11 14 Ser. 1234567

CONSTRUCTION DETAILS

Insulation

The transformer design is constructed using GE's premium HY-BUTE 60 molded butyl rubber insulation for the transformer body. First introduced in 1955, GE's unique formulation is non-arc tracking and resistant to heat, chemicals, ozone and ultraviolet. This tough, resilient insulating material has proven to be superior in handling mechanical, electrical and environmental extremes, when compared against other insulation designs such as porcelain, urethane or epoxy.

Core & Coil

The core is made of high-permeability, formed, silicon steel strip. The steel is characterized by having highly directional properties, that is, low core losses and high permeability in the direction of rolling. Full advantage is taken of this property of the steel by the shape and construction of the core. The core has a dispersed-gap construction with interleaved laminations. This type of core provides a construction that will not shift to cause any change in the transformer characteristics. After being assembled into the coils, the core is securely clamped and permanently fastened to the base plate by a heavy steel strap which encircles the core and is welded to the base.

Windings

The primary winding consists of two coils connected in series. Each coil surrounds one leg of the core. This design reduces leakage losses, thus improving the accuracy of the transformer. It also provides a higher mechanical strength than a single coil construction. The secondary winding consists of two coils connected in parallel. Each coil is located inside the corresponding primary coil and surrounds one leg of the core.

Primary Terminals

The primary terminals are flat copper bars, each with one bolt hole and a slot, which facilitates connections to various size cable lugs. The terminal surfaces are tin-plated to reduce contact resistance, and to allow connection to either copper or aluminum conductors.

Secondary Terminals & Conduit Box

The secondary terminals are in a compartment molded in the side of the transformer. The compartment has a molded phenolic cover held by four brass, nickel-plated, captive thumbscrews, which engage a metal insert molded in the rubber. The thumbscrews are drilled to accommodate a seal wire. The compartment also has two openings for 1 inch conduit connection. The secondary terminals are the threaded type, each with cup washer, lock washer and nut. A manually operated, secondary short-circuiting switch is located between the secondary terminal studs.

Testing

Rigorous GE test requirements go beyond ANSI/IEEE routine requirements in order to ensure long term reliability. Test reports are saved electronically and can be e-mailed in various formats upon request.

Ground Terminal

A ground terminal is provided in the secondary compartment for making an optional connection to one of the secondary terminals. The 1/4-20 round-head ground terminal is welded in the baseplate bracket, and is furnished with a nut, cup washer, flat washer, and lock washer.

Polarity

The primary and secondary polarity markers are molded in the insulation. They are thus permanent and integral parts of the transformer and cannot readily be obliterated. The polarity is subtractive.

Baseplate and Mounting

The base is made of stainless-steel. A stainless-steel grounding lug is welded to the baseplate and provides a hole for attaching the grounding connector. Mounting holes or slots are located in each corner of the baseplate. Mounting hardware is supplied with the transformer. The transformer can be mounted with the primary terminals in any position—up, down, or horizontal. It can be bolted directly to a crossarm attached by "U" bolts or suspension hooks, or mounted on double crossarms, using channel brackets. Refer to the Accessories Listing on the transformer data sheet for Catalog Numbers.

Nameplate

The nameplate is made of stainless-steel and located on the base of the transformer. Information is per IEEE designation, laser-engraved for easy-to-read form. Custom barcoding available upon request.

Maintenance

These transformers require no maintenance other than an occasional cleaning if installed in an area where air contamination is severe.