



## PM-35U

5 Optional DC Input Ranges  
from 200mV to 1200V  
3 1/2 DIGIT with 0.3" LEDs  
In a Slim Bezel Case

A Low Cost Easy To Use General Purpose Meter.

### General Features

The PM-35U Digital Panel Meter is an economical, high performance instrument incorporating a number of features usually found only on more expensive meters. Utilizing the dual slope method of integration, the unit measures differential and single-ended DC voltages over five user selectable ranges from 199.9mV to 1200V full scale.

Maximum resolution is 100µV or ±1999 counts. Provision is made for user connections to provide various operating modes, including a ratio-metric voltmeter, current meter, ratio-metric ohmmeter, and a temperature difference meter.

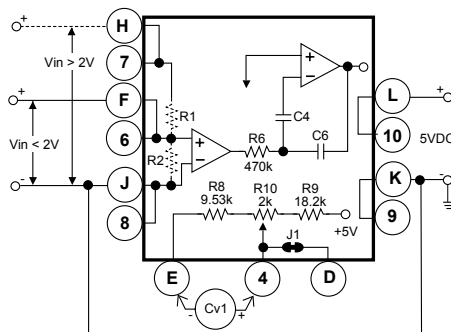
The true differential input capability of the Model PM-35U is particularly useful for making accurate measurements of very small signals in the presence of much larger common mode signals.

Because of its high noise immunity, it is also ideal for measuring various balanced transducers and bridge inputs. When measuring bridge circuits, long term drift of the excitation voltage can be compensated for by using the ratio-metric voltmeter mode of operation.

### Typical Application Connections

**SINGLE-ENDED METER- 200mV Range, >2V Range 200mV Range:**  
1) Change R6 from 470k to 47k, ±5%; 2) Change R9 from 18.2k to 26.7k, ±1%; 3) Remove R8 (9.53k) and short with a jumper; 4) It is recommended that C4, C5 and C7 be changed to 0.22mF; 5) Adjust R10 until CV1=100mV.

**>2V Range:** Install R1 and R2 as specified under section titled Useful Tables.



View more application connections and connection instructions on page 3.

### PM-Series, high performance versatility for a wide range of applications

PM-35A.....	3.5 digit Red LED, Precision Preference, 2VDC, 5VDC Power
PM-35AR .....	3.5 digit Red LED, Autoranging, 200mV/2VDC, 5VDC Power
PM-35U .....	3.5 digit Red LED, Low Cost, 2VDC, 5VDC Power
PM-35X.....	3.5 digit LCD, Low Power Consumption 2VDC, 5VDC Power
PM-35XAR .....	3.5 digit LCD, Low Power Autoranging
PM-35XAC110 .....	3.5 digit LCD, 2VDC, 120VAC Power
PM-35XACAR1 .....	3.5 digit LCD, Autoranging, 120VAC Power
PM-45L.....	4.5 digit Red LED, Precision Meter w/Differential Input
PM-45LBCD .....	PM-45L w/Tri-State Parallel BCD Output, 5VDC Power
PM-45LMUXBCD .....	PM-45L w/Multiplexed BCD Output

### Compatibility

The PM-35U is shipped in a standard Slim Bezel case. The Slim Bezel case is compatible with the CM, SM, TM, & SP Series of meters. The PM-35U can be ordered in End Mount cases for twin mounting or combinations of multiple center mount cases and two end mount cases for stack mounting.

#### SLIM



#### BEZEL

### Specifications

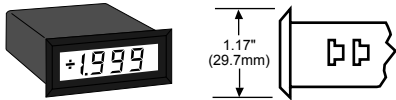
<b>Input Configuration:</b> .....	True differential and single-ended
<b>Full Scale Ranges:</b> .....	±199.9mVDC ±1.999VDC (standard) ±19.99VDC ±199.9VDC ±1200VDC
<b>Input Impedance:</b> .....	Exceeds 1000MΩ on 200mV and 2V ranges; 10MΩ on all other ranges
<b>Input Protection:</b> .....	±250VDC or 175VAC maximum on 200mV and 2V ranges; ±1200VDC or 850VAC on all other ranges
<b>Accuracy:</b> .....	±(0.1% of reading + 1 digit)
<b>Temperature Coefficient:</b> .....	±5PPM/°C in ratio-metric operation; 80 to 100PPM/°C using internal reference on 200mV and 2V ranges
<b>Warm Up Time:</b> .....	2 minutes to specified accuracy
<b>Conversion Rate:</b> .....	3 readings per second nominal
<b>Display:</b> .....	0.3" LED
<b>Decimal Selection:</b> .....	User programmable to 4 positions
<b>Overrange Indication:</b> ..	When input exceeds full scale on any range being used, most significant "1" digit & polarity symbol are displayed with all other digits blank
<b>Power Requirements:</b> .....	+4.5 to +5.5VDC at 200mA max.
<b>Operating Temperature:</b> .....	0° to +60°C
<b>Storage Temperature:</b> .....	-20° to +70°C
<b>Relative Humidity</b> .....	95% (non-condensing)
<b>Case Dimensions:</b> .....	Bezel 2.76" x 1.17" (69.75 x 29.7mm) Depth behind Bezel 3.32" (84mm) plus 0.68" (17.27mm) for connector.
<b>Weight:</b> .....	88 gms (3.1 oz)

PM-45LU .....	4.5 digit Red LED, Low Cost Meter w/Differential Input
PM-45LUBCD .....	PM-45LU w/Tri-State Parallel BCD Output
PM-45LUMXBCD .....	PM-45LU w/Multiplexed BCD Output
PM-45X.....	4.5 digit LCD, Precision Meter w/Differential Input
PM-45XBCD .....	PM-45X w/Tri-State Parallel BCD Output, 5VDC Power
PM-45XMUXBCD .....	PM-45X w/Multiplexed BCD Output, 5VDC Power
PM-45XU .....	3.5 digit LCD, Low Cost Meter w/Differential Input
PM-45XUBCD .....	PM-45XU w/Tri-State Parallel BCD Output, 5VDC Power
PM-45XUMXBCD .....	PM-45XU w/Multiplexed BCD Output, 5VDC Power

## PM Case Dimensions and Panel Cutouts

The Slim Bezel Case is supplied as standard. If specified at time of ordering, any combination of Twin Mounting and Multiple Array Cases may be substituted at no additional cost. Extra cases may be ordered separately.

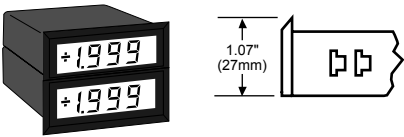
### STANDARD SLIM BEZEL CASE



**SLIM BEZEL CASE**  
Standard Black ABS case with matte finish bezel for single unit mounting.

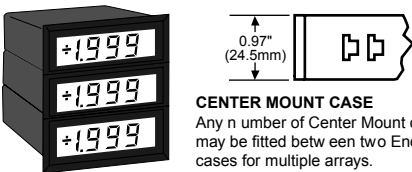
Part No. **SL-CASERED** for LED's  
**SL-CASECLR** for LCD's

### OPTIONAL TWIN MOUNTING OR MULTIPLE ARRAY CASES



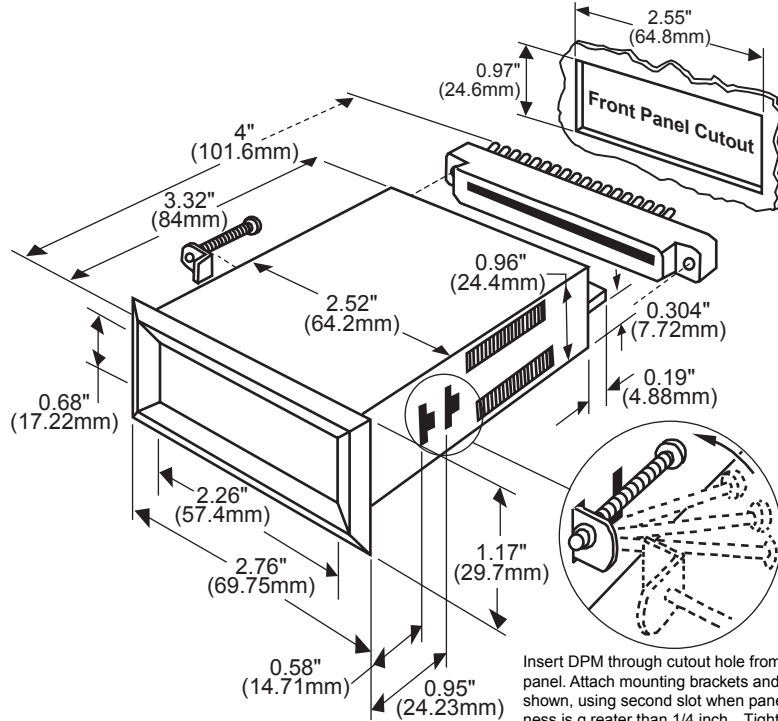
**END MOUNT CASE**  
Same styling as Slim Bezel case but with bottom edge of bezel removed. Two End Mount cases can be twin mounted in a single cutout.

Part No. **EM-CASERED** for LED's  
**EM-CASECLR** for LCD's



**CENTER MOUNT CASE**  
Any number of Center Mount cases may be fitted between two End Mount cases for multiple arrays.

Part No. **CM-CASERED** for LED's  
**CM-CASECLR** for LCD's



Insert DPM through cutout hole from front of panel. Attach mounting brackets and screws as shown, using second slot when panel thickness is greater than 1/4 inch. Tighten screws against rear of panel.

## Ordering Information

### Standard Options for this Model Number

Part Number .Description

#### ▶ BASIC MODEL NUMBER

PM-35U . . . . .3.5 digit Red LED, Low Cost, 2VDC, 5VDC pwr

**Note:** For operation, the PM-35U requires a CN-L10 Dual Row 10 Pin PCB edge connector 0.156" center or equivalent (see accessories).

### Special Options and Accessories

Part Number .Description

#### ▶ SPECIAL OPTIONS (Specify Inputs & Req. Reading)

VA-200MVFI . . . . .200mVDC Range Change

VF-0020V . . . . .20VDC Range Change

VF-0200V . . . . .200VDC Range Change for 3.5 digit PM Series

VF-1200V . . . . .1200VDC Range Change for 3.5 digit PM Series  
VS-3.5 . . . . .Non-Std Range and Scale - 3.5 Digit PM Meters

#### ▶ ACCESSORIES



CN-L10 . . . . .Dual Row 10 Pin PCB Edge Connector, 0.156" ctr Solder Eyelets

SL.CASERED . . . . .Slim Bezel Case, Red Faceplate w/Mtg Hardware

CL.CASERED . . . . .Center Mount Case, Red Faceplate w/Mtg Hardware

EM.CASERED . . . . .End Mount Case, Red Faceplate w/Mtg Hardware

Prices subject to change without notice.

### WARRANTY

Texmate warrants that its products are free from defects in material and workmanship under normal use and service for a period of one year from date of shipment. Texmate's obligations under this warranty are limited to replacement or repair, at its option, at its factory, of any of the products which shall, within the applicable period after shipment, be returned to Texmate's facility, transportation charges pre-paid, and which are, after examination, disclosed to the satisfaction of Texmate to be thus defective. The warranty shall not apply to any equipment which shall have been repaired or altered, except by Texmate, or which shall have been subjected to misuse, negligence, or accident. In no case shall Texmate's liability exceed the original purchase price. The aforementioned provisions do not extend the original warranty period of any product which has been either repaired or replaced by Texmate.

### USER'S RESPONSIBILITY

We are pleased to offer suggestions on the use of our various products either by way of printed matter or through direct contact with our sales/application engineering staff. However, since we have no control over the use of our products once they are shipped, NO WARRANTY WHETHER OF MERCHANTABILITY, FITNESS FOR PURPOSE, OR OTHERWISE is made beyond the repair, replacement, or refund of purchase price at the sole discretion of Texmate. Users shall determine the suitability of the product for the intended application before using, and the users assume all risk and liability whatsoever in connection therewith, regardless of any of our suggestions or statements as to application or construction. In no event shall Texmate's liability, in law or otherwise, be in excess of the purchase price of the product.

Texmate cannot assume responsibility for any circuitry described. No circuit patent or software licenses are implied. Texmate reserves the right to change circuitry, operating software, specifications, and prices without notice at any time.