



BN-Series



## BN-35BCD

### Remote BCD Display 3 1/2 Digit 0.56" LED in a 1/16 DIN Case



**5VDC Powered LED BCD Input Meter in DIN 96X24mm Case.**

#### General Features

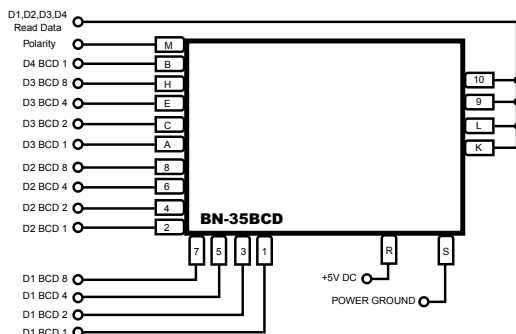
The BN-35BCD is a 3 1/2 digit remote or slave BCD display with polarity that is popularly used to display the BCD output from a PLC system.

For applications where more digits need to be displayed, the 4 digit BN-40BCD may be used. The BN-35BCD and BN-40BCD are ideal solutions for low cost operator interfaces.

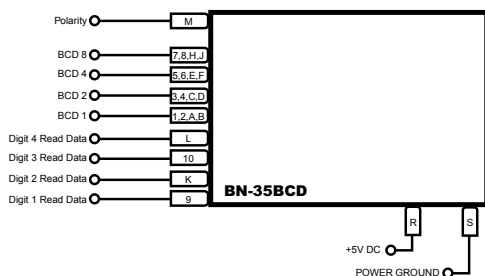
Both BN-40BCD and BN-35BCD are powered from 5V DC. They are shipped standard with Red LEDs, but green LEDs or super bright LEDs for high ambient light conditions are also offered.

#### Typical Application Connections

**BN-35BCD with parallel BCD input.**

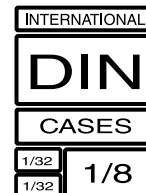


**BN-35BCD with multiplexed BCD input.**



#### Compatibility

The BN-Series have a matching DIN case style that is complementary to the Lynx, Leopard and Tiger family of meters. BN-Meters are the OEM's choice for economical switchboard and process indication. For economy, each model is dedicated to a specific application and designed for quick and easy installation.



#### Specifications

- Input Configuration:** .....BCD 1-2-4-8 code, positive logic
- Full Scale Ranges:** .....±199.9mVDC ±1.999VDC (standard)  
±19.99VDC±199.9VDC
- Input Impedance:** .....Exceeds 100MΩ on 200mV, 2V ranges.  
1MΩ other ranges.
- Input Protection:** .....±100V AC/DC for 200mV, 2V and 20V ranges.  
±250VAC/DC for 200V range
- Conversion Rate:** .....3 readings per second
- Common Mode Rejection:**...80dB at DC
- Normal Mode Rejection:**...60dB at 50/60Hz for 200mV and 2V ranges.
- Common Mode Voltage:**....-1V to +2VDC
- Accuracy:** .....± (0.05% of reading + 1 digit)
- Temperature Coefficient:** .....5ppm/°C in ratiometric mode 50ppm/°C in 200mV / 2V ranges
- Maximum resolution:** .....100μV in 200mV range.
- Zero Stability:**.....Autozeroed. 0.1 counts per °C
- Display:**.....0.56" high red LEDs. Display Hold, Blank and Test provided.
- Over-range Indication:** ....The most significant digit "1" is displayed with all the other digits blanked.
- Power Supply:**.....5VDC @ 200mA.
- Operating Temperature:** .....0°C to 70°C (5V supply);  
0°C to 50°C (12V supply)
- Storage Temperature:**.....-12°C to 80°C
- Relative humidity:**.....95% (non condensing)
- Case Dimensions:** .....Bezel: 96X24 mm (3.62" X 0.95")  
Depth behind bezel: 56.5 mm (2.23")  
Plus 27 mm (1.06") for Push-On connector  
or plus 17.5 mm (0.68") for Edge connector
- Weight:**.....10 gms (.35 oz)

#### BN-Series

**BN-35** ..... .0.2/2/20/200V DC ranges, 3.5 digit, 5V DC Powered  
**BN-35BCD** ..... Parallel or Multiplex BCD, 3.5 digit, 5V DC Powered  
**BN-35CL** ..... .4 to 20mA, Isolated 24V DC, 3.5 digit  
**BN-35I** ..... .0.2/2/20/200V DC ranges, Isolated 24V DC, 3.5 digit

**BN-40BCD** ..... Parallel or Multiplex BCD, 4.0 digit, 5V DC Powered  
**BN-45** ..... .2/20/200V DC ranges, 4.5 digit, 5V DC Powered  
**BN-45I** ..... .2/20/200V DC ranges, Isolated 24V DC, 3.5 digit

# BN Case Dimensions and Panel Cutouts

**PANEL CUTOUT**

Case will mount in standard 1/16 DIN cutouts

Panel adaptor plates are available to retrofit most existing panel cutouts.

For additional strength, extra Mounting Slide Clips can be ordered and doubled up one behind the other. P/N:(75-DMT96X24)

When extra panel mounting tightness is required, optional Screw Mounting Clips are included which fit on the Mounting Slide Clips.

**FRONT VIEW**

1/16 DIN (96x24mm)

**SIDE VIEW**

Push-On Connector P/N:(CN/PUSH/BN)

**TO REMOVE REAR COVER**

Release Bottom Catch with a small flat blade, and lever outwards.

**TOP VIEW**

The 96x24mm case is particularly suitable for mounting in mosaic panels or insulative panels. They can also stack mount, 2 up in existing cut-outs for 1/8 DIN (96x48mm) or 4 up in 1/4 DIN (96x96mm).

## Ordering Information

### Standard Options for this Model Number

| Part Number   | Description                                    |
|---|--|
| <b>► BASIC MODEL NUMBER</b> Includes standard display and standard power supply unless optional versions are ordered. |  |
| BN-35BCD  | 3.5 digit, 5VDC Pwr, Parallel or MUX BCD input |
| <b>► DISPLAY</b>  |  |
| <b>STANDARD.....Red LEDs, 0.56 inch high</b>  |  |
| BN-GREEN  | Green LED, 0.56 inch high                      |
| BN-BRIGHT   | Super bright Red LEDs, 0.56 inch high          |

### Special Options and Accessories

| Part Number          | Description   |
|----------------------|---|
| <b>► ACCESSORIES</b> |   |
| CN-L15               | PCB Edge Connector, Solder Type, Dual Row 15 Pins           |
| 75-DMTC96X24         | Side Slide Brackets, extra set (96x24mm only)               |
| 75-DBBZ96X24         | Black Bezel for 96x24mm Case, BN and AM series              |
| DN.CAS96X24          | Din Case 96 X 24 Short Depth with Bezel                     |
| OP-MTLCLIP           | Screw Mounting Clips (2 pc) to screw tighten slide brackets |
| 75-DTP96X24          | Black Metal Trim Plate (96x24mm Case) 1 Meter               |
| 75-DTP2X9624         | Black Metal Trim Plate (96x24mm Case) 2 Meters              |
| 75-DTP3X9624         | Black Metal Trim Plate (96x24mm Case) 3 Meters              |

Prices subject to change without notice.

### WARRANTY

Texmate warrants that its products are free from defects in material and workmanship under normal use and service for a period of one year from date of shipment. Texmate's obligations under this warranty are limited to replacement or repair, at its option, at its factory, of any of the products which shall, within the applicable period after shipment, be returned to Texmate's facility, transportation charges pre-paid, and which are, after examination, disclosed to the satisfaction of Texmate to be thus defective. The warranty shall not apply to any equipment which shall have been repaired or altered, except by Texmate, or which shall have been subjected to misuse, negligence, or accident. In no case shall Texmate's liability exceed the original purchase price. The aforementioned provisions do not extend the original warranty period of any product which has been either repaired or replaced by Texmate.

### USER'S RESPONSIBILITY

We are pleased to offer suggestions on the use of our various products either by way of printed matter or through direct contact with our sales/application engineering staff. However, since we have no control over the use of our products once they are shipped, NO WARRANTY WHETHER OF MERCHANTABILITY, FITNESS FOR PURPOSE, OR OTHERWISE is made beyond the repair, replacement, or refund of purchase price at the sole discretion of Texmate. Users shall determine the suitability of the product for the intended application before using, and the users assume all risk and liability whatsoever in connection therewith, regardless of any of our suggestions or statements as to application or construction. In no event shall Texmate's liability, in law or otherwise, be in excess of the purchase price of the product.

Texmate cannot assume responsibility for any circuitry described. No circuit patent or software licenses are implied. Texmate reserves the right to change circuitry, operating software, specifications, and prices without notice at any time.