



MODELS OFFERED

TA-1: 1 Phase, Average sensing Amps

TA-1T: 1 Phase, True rms sensing Amps

TA-3: 3 Phase, Average sensing Amps

TA-3T: 3 Phase, True rms sensing Amps

- True RMS sensing is recommended for input signals with distortion.
- Direct connect to the transducer for inputs $\leq 5A$ AC.
- Connect using a current Transformer (C.T.) for inputs greater than 5A AC.

FEATURES

- High accuracy $\pm 0.2\%$ of Rated Output (R.O.)
- Super high accuracy $\pm 0.1\%$ of Rated Output (R.O.) available as a special order.*
- High immunity to external noise.
- Quick and easy mounting to 35mm DIN Rail (DIN46277)
- Many input and output signal combinations

GENERAL SPECIFICATIONS

Accuracy	$\pm 0.2\%$ R.O. Standard for 10 to 100% of rated output $\pm 0.1\%$ R.O. (Special Option)
Temp. coefficient	≤ 100 ppm/ $^{\circ}$ C of span ≤ 60 ppm/ $^{\circ}$ C for ambient temperature of 25° C $\pm 10^{\circ}$ C
Temp. range	Storage temperature range -20° C to 60° C (-4° F to 140° F) Operating temperature range 0° C to 50° C (32° F to 122° F)
Humidity range	Up to 95% RH non condensing
Isolation	Between Input/Output/Power/Case
Dielectric test	DIN-IEC 688 2K Vrms/1 min, Between terminal to terminal 2.8K Vrms/1 min, Between terminal to case
Surge test	DIN-IEC 255-4, ANSI C37 90a/1974 5KV($1.2 \times 50 \mu$ s)
Insulation Resistance	Greater than 100 M Ω at 500V DC
Housing material	ABS Resin(94V-0) or metal
Mounting	Screw mount on metal case or Plastic case DIN Rail 35mm
Auxiliary Power	AC 115/230V $\pm 15\%$, 50/60Hz, 3VA DC 24V $\pm 20\%$ (optional) 125V DC $\pm 20\%$ (optional)

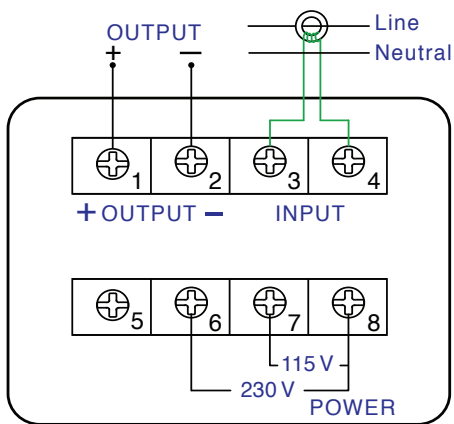
INPUT SPECIFICATIONS

- AC Input 0 to 5A AC, 0 to 1A AC or custom input
- Frequency..... 45Hz to 65Hz or 400Hz
- Burden ≤0.2VA
- Response Sensitivity ≤0.5% of measuring range to maximum input range
- Input Overload Capacity 3 times the rated input current continuously.
 10 times the rated current for 10 seconds.
 50 times the rated input current for 1 second.
 80 times the rated input current for 0.5 second.

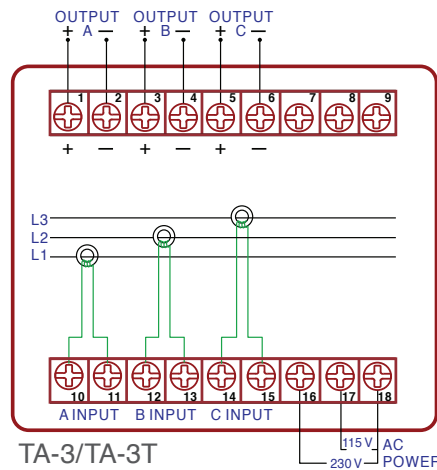
OUTPUT SPECIFICATIONS

- Output Variables DC mA or DC Volts
- Ripple..... < 0.5% of rated output. Peak to Peak (maximum)
- Response Time < 400 milliseconds to go from 0 to 99% of output
- Zero Adjustment..... ± 5% of rated output (minimum)
- Span Adjustment..... ± 10% of rated output (minimum)
- Load Resistance..... 10K Ω maximum for 0 to 1mA output
 500 Ω maximum for 4 to 20mA output
 500 Ω minimum for 0 to 10V output

CONNECTION DIAGRAM



TA-1/TA-1T



TA-3/TA-3T