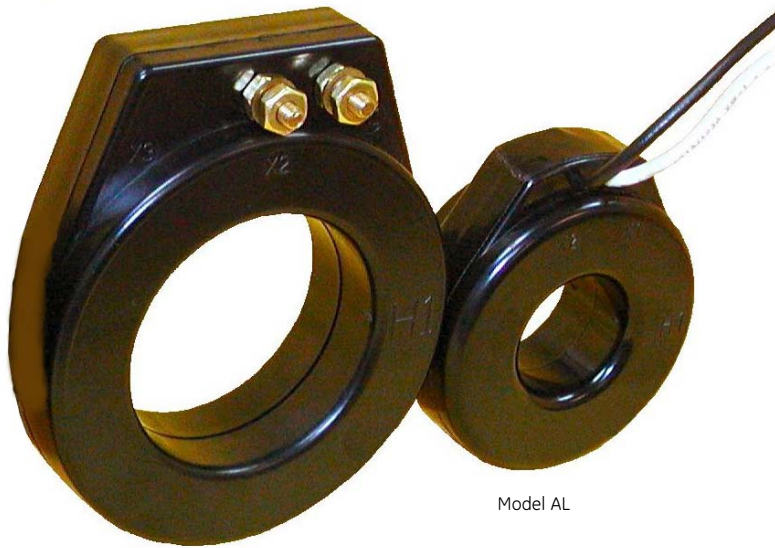


Current Transformer Models A & B

Window Diameter 1.05", 2.06"



Model BT

Model AL

APPLICATION:

With ammeters, energy management systems, and instrumentation.

FREQUENCY:

50-400 Hz.

INSULATION LEVEL:

600 Volts, 10 kV BIL full wave.

RATING FACTOR:

1.0 @ 30°C amb.

Fast on connectors are standard 1/4"
Terminals are 8-32 studs.

Flexible leads are UL 1015,
105°C., CSA approved.
#16 AWG, 24" long.

Approximate weights:

Model A - 0.5 lb.

Model B - 0.6 lb.

Model A

CATALOG NUMBER	CURRENT RATIO	ACCURACY AT 60 Hz	BURDEN VA at 60 Hz
A*—500	50:5	±3%	1.5
A*—600	60:5	±3%	2.0
A*—750	75:5	±2%	2.0
A*—800	80:5	±2%	2.0
A*—101	100:5	±1%	2.0
A*—121	120:5	±1%	2.5
A*—1250	125:5	±1%	2.5
A*—151	150:5	±1%	4.0
A*—201	200:5	±1%	4.0
A*—251	250:5	±1%	6.0
A*—301	300:5	±1%	8.0
A*—401	400:5	±1%	10.0

Model B

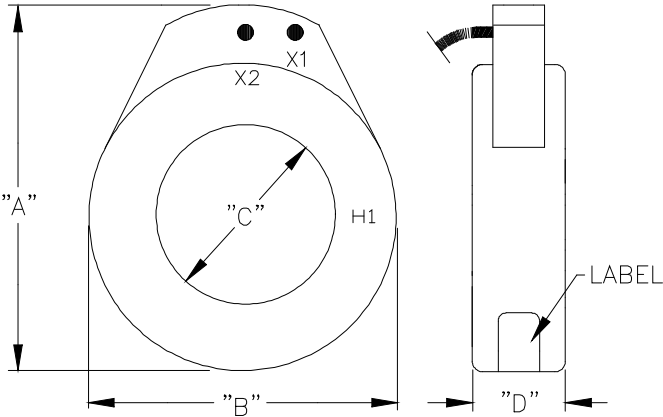
CATALOG NUMBER	CURRENT RATIO	ACCURACY AT 60 Hz	BURDEN VA at 60 Hz
B*—500	50:5	±3%	0.5
B*—750	75:5	±1%	0.5
B*—101	100:5	±1%	1.0
B*—151	150:5	±1%	2.5
B*—201	200:5	±1%	4.0
B*—251	250:5	±1%	6.0
B*—301	300:5	±1%	7.5
B*—401	400:5	±1%	10.0
B*—501	500:5	±1%	12.5
B*—601	600:5	±1%	15.0
B*—751	750:5	±1%	7.0
B*—801	800:5	±1%	8.0
B*—102	1000:5	±1%	10.0
B*—122	1200:5	±1%	12.5

*Note: Specify "F" for fast-ons or "T" for terminals or "L" for leads.

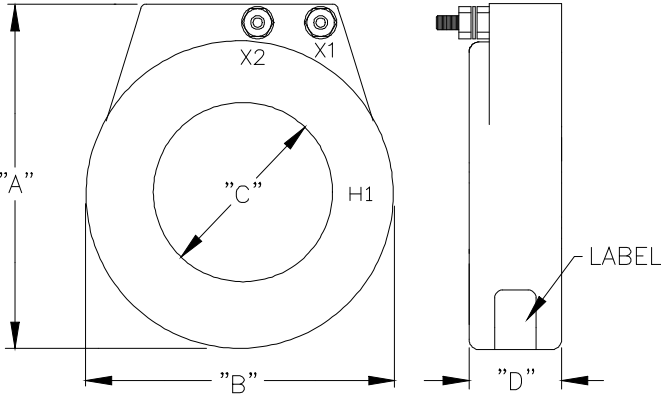
Model A, B

Model AL, BL

1



Model BT



MODEL AL	MODEL BL	MODEL BT
A: 2.74	A: 3.74	A: 3.88
B: 2.47 DIA.	B: 3.43 DIA.	B: 3.43 DIA.
C: 1.05 DIA.	C: 2.06 DIA.	C: 2.06 DIA.
D: 1.05	D: 1.10	D: 1.10