

Model IKU

Terminal Block

Application

Control and power wire termination. Short circuiting versions for meter servicing, CT tap changing, ...etc.

Features

- Rugged chip resistant heavy duty construction
- 2,4,6,8 and 12 pole configurations
- #10-32 tin plated slotted washer head terminal screws
- U.L. recognized 105 degree C. thermoplastic body material
- 4, 6 and 8 pole shorting style available with 4 “on board” slotted head shorting screws. Covers also available.
- Surface mounting flat base for direct one piece terminal block replacement
- Marking strip provided (on the cover for shorting style blocks; on the base for non-shorting style)

- Optional clear bi-directional hinged plastic cover
- Wide brass terminals allow lugs up to 1/2” in width
- Wire size - copper 18-10 AWG.
- UL and CUL recognized (E241554)

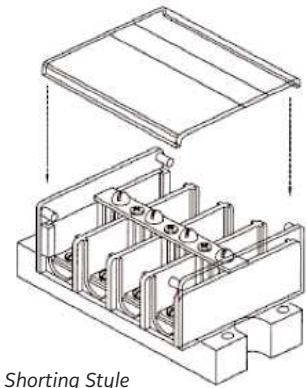
Ratings

Voltage:

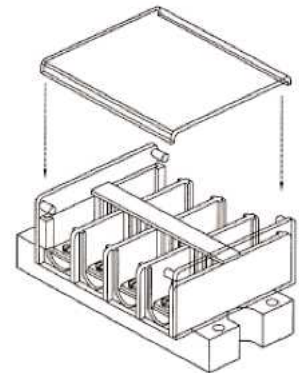
600 VAC Non-Shorting Style
300 VAC Shorting Style

Current:

50 Amp w/Crimp Type Lug
30 Amp w/Bare Wire



Shorting Style

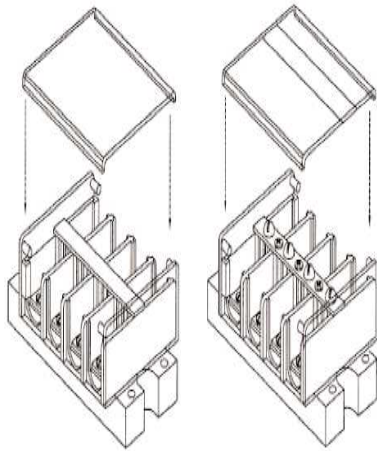


Non-Shorting Style

Model IKU

Catalog Number	Number of Poles	Mounting Dimensions (inches)			Non-Shorting Style		Shorting Style		Cover Kit Catalog Number	Jumper Catalog Number
		L	D Min.	D Max	Catalog Number without Covers	Catalog Number with Covers	Catalog Number without Covers	Catalog Number with Covers		
IKU2	2	2.00	1.61	1.75	IKU2	IKU2C	IKU2S	IKU2SC	IKUC2	IKUJ2
IKU4	4	3.25	2.88	3.00	IKU4	IKU4C	IKU4S	IKU4SC	IKUC4	IKUJ4
IKU6	6	4.50	4.12	4.25	IKU6	IKU6C	IKU6S	IKU6SC	IKUC6	IKUJ6
IKU8	8	5.75	5.38	5.50	IKU8	IKU8C	IKU8S	IKU8SC	IKUC8	IKUJ8
IKU12	12	8.25	7.88	8.00	IKU12	IKU12C	IKU12S	IKU12SC	IKUC12	IKUJ12

Model IKU



Non-Shorting Style

Shorting Style



Jumper



Cover Kit

