

Model CPTN5-95-37.5

Control Power Transformer Medium Voltage

Application

To provide control power in medium voltage switchgear.

Frequency

60 Hz.

Insulation Level

15 kV Class
95 kV BIL full wave.

Thermal Rating

37.5 kVA at 30 °C ambient.
32.2 kVA at 55 °C ambient.

Design

- Primary terminals are brass screws
- 1/4-20 with one flatwasher and starwasher
- Secondary terminals are 1/2-13 brass studs
- Supplied with $1 \pm 7 \frac{1}{2} \%$ or $2 \pm 2 \frac{1}{2} \%$ taps above and below nominal voltage on the primary winding
- Windings are encapsulated in epoxy resin.
- Mounting base is steel.
- Assembly is varnish coated.
- Available as unfused only.
- Self cooled.
- For indoor use.
- Approximate weight 450 lbs.



Model CPTN5-95-37.5

**Catalog Number	Primary Voltage	Ratio	Secondary Voltage	*Fuse Rating
CPTN5-95-37.5-722**	7,200 V	60:1	120/240 V	20E
CPTN5-95-37.5-842**	8,400 V	70:1	120/240 V	20E
CPTN5-95-37.5-123**	12,000 V	100:1	120/240 V	10E
CPTN5-95-37.5-1242**	12,470 V	104:1	120/240 V	10E
CPTN5-95-37.5-1322**	13,200 V	110:1	120/240 V	10E
CPTN5-95-37.5-1382**	13,800 V	115:1	120/240 V	10E
CPTN5-95-37.5-1442**	14,400 V	120:1	120/240 V	10E

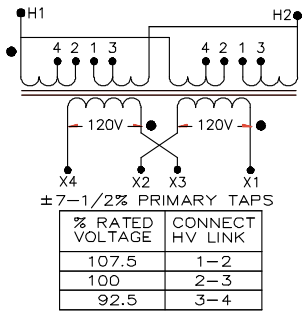
*Note all fuse rating are based on NEC transformer overcurrent protection recommendations. Specific applications may require other other ratings.

**For $1 \pm 7 \frac{1}{2} \%$ taps use suffix "A" after Catalog No.

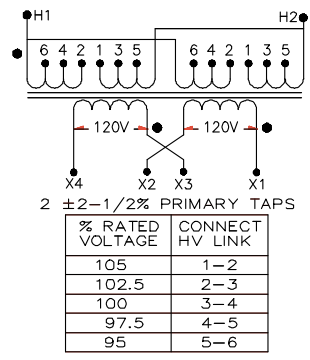
**For $2 \pm 2 \frac{1}{2} \%$ taps use suffix "B" after Catalog No.



Connection Diagrams



CONNECTION DIAGRAM "A"



CONNECTION DIAGRAM "B"

