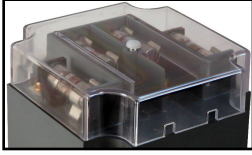
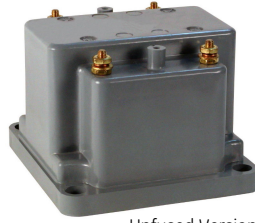


# Indoor Voltage Transformer

## Model JE-27C 10kV BIL, 69-600V



Clear Plastic Cover



Unfused Version



1 Fuse/2 Fuse Version

### APPLICATION

Designed for indoor service; suitable for operating meters, instruments, relays and control devices.

### REGULATORY AGENCY APPROVALS

UL Recognized .....File E93779

### THERMAL RATING (VOLT-AMPERES)

55°C Rise above 30°C Ambient .....150 VA

30°C Rise above 55°C Ambient .....100 VA

### WEIGHT

(Approximate) .....7.8 lbs

### REFERENCE DRAWINGS

Outline .....0122C33698

### INSULATION LEVEL

0.6kV; BIL 10kV full wave

### FREQUENCY

60 Hz

JE-27C DATA TABLE

Circuit Line to Line Voltage	Permissible Transformer Primary Connection	Transformer Rating		ANSI Accuracy Classification 60 Hz		Catalog Number			Recommended Primary Fuse Rating
		Primary Voltage (1)	Ratio	Burden Per ANSI		Not Fused	Primary Fuses Only	Primary and Secondary Fuses	Amps
				Operated at Rated Voltage	Operated at 58% of Rated Voltage				
120	Y only	69.3	0.578:1	0.6 W 1.2 X	2.4 X	760X190001	760X190021	760X190041	5.0
120 208	Δ or Y Y only	120	1:1	0.6 W 1.2 X	2.4 X	760X190002	760X190022	760X190042	4.0
120 208	Δ or Y Y only	120	1.732:1	0.6 W 1.2 X	2.4 X	760X190003	760X190023	760X190043	2.0
208	Δ or Y	207.8	1.732:1	0.6 W 1.2 X	2.4 X	760X190004	760X190024	760X190044	2.0
240 416	Δ or Y Y only	240	2:1	0.6 W 1.2 X	2.4 X	760X190005	760X190025	760X190045	2.0
480	Y only	288	2.4:1	0.6 W 1.2 X	2.4 X	760X1900007	760X190027	760X190047	1.5
480	Y only	300	2.5:1	0.6 W 1.2 X	2.4 X	760X190008	760X190028	760X190048	1.5
480 832	Δ or Y Y only	480ψ	4:1	0.6 W 1.2 X	2.4 X	760X190009	760X190029	760X190049	1.0
600 1040	Δ or Y Y only	600ψ	5:1	0.6 W 1.2 X	2.4 X	760X190010	760X190030	760X190050	0.75

Notes:

For continuous operation, the transformer rated primary voltage should not be exceeded by more than 10%. Under emergency conditions, over-voltage must be limited to 1.25 times the transformer primary voltage rating; except those marked ψ, which must not exceed 110% rated voltage.

### Construction and Insulation

The core and coils are enclosed in a molded case and encapsulated in polyurathane resin. The case is molded with thermoplastic polyester resin. This tough material has excellent electrical and mechanical properties over a wide temperature range, has low water absorption and is resistant to oil and a variety of chemicals.

### Core

The cores are made from high quality grain oriented silicon steel, which is annealed under rigidly controlled factory conditions.

### Terminals

On unfused models the terminals are No. 10-32 brass studs with one flat washer, one lock washer and a regular nut. On fused models the terminals are No. 8-32 brass screws with one lock washer and one flat washer. Two plastic terminal covers are provided on unfused models and one clear plastic cover on fused models.

### Polarity

Primary and secondary polarity identifiers are molded into the top surface of the transformer case.

### Fuses

Class CC primary fuses are recommended, rated as shown in the data table. A secondary fuse is recommended, type BBS rated at 1.6 Amps to protect the transformer from external short circuits.

### Nameplates

The nameplate is a polyester label attached to the top surface of the transformer case on unfused models and on the side of the case on fused models.

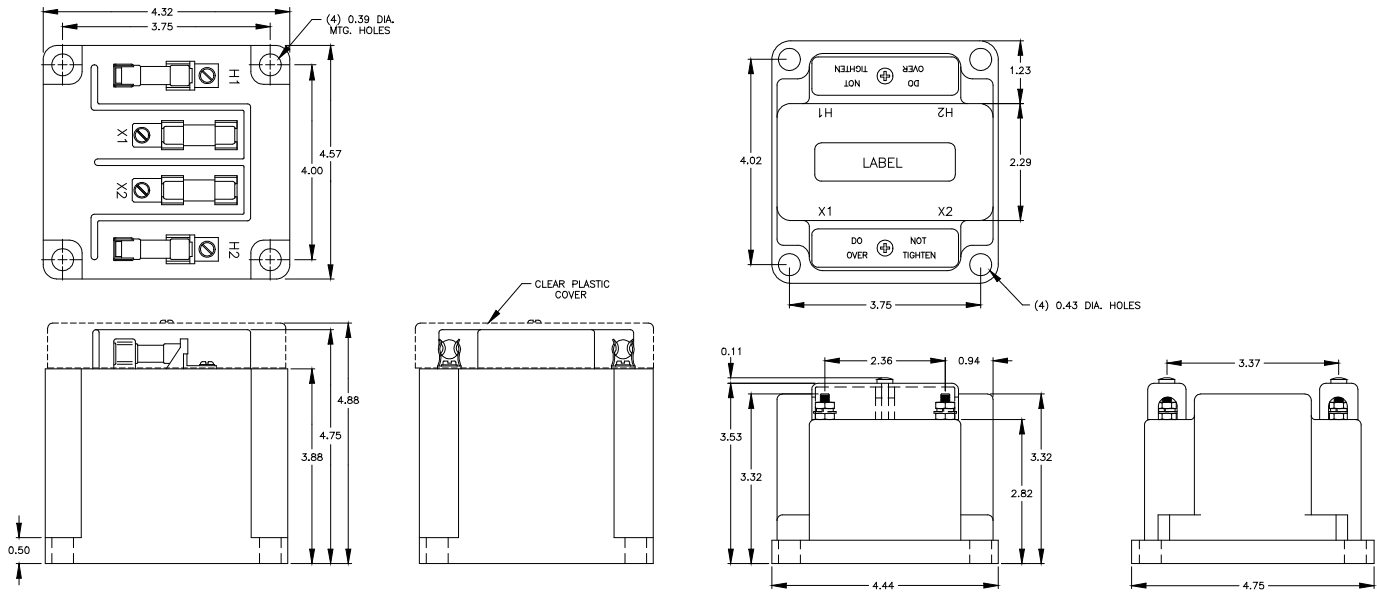
### Mounting

The transformer can be mounted in any position, the case is provided with four mounting holes.

### Maintenance

These transformers require no maintenance, other than occasional cleaning.

Data subject to change without notice



JE-27C Dimensions