

Medium Voltage Indoor Voltage Transformer Model PT7-2-150 & PT7-2-200 ANSI Group 2

REGULATORY AGENCY APPROVALS



Manufactured to meet the requirements of ANSI/IEEE C57.13.



200 kV BIL

TWO BUSHING

ACCURACY CLASS:

0.3 WXYZ 1.2ZZ at 100% rated voltage with 120V rated ANSI burden.

0.3 WXY, 1.2Z at 58% rated voltage with 69.3V based ANSI burden.

FREQUENCY:

60 Hz.

MAXIMUM SYSTEM VOLTAGE:

Model PT7-2-150
36.5kV, BIL 150kV full wave.

Model PT7-2-200
36.5kV, BIL 200kV full wave.

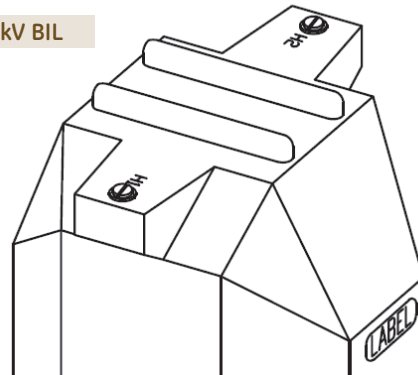
THERMAL RATING:

1500 VA at 30°C amb.

1000 VA at 55°C amb.

Approximate weight 175 lbs.

150 kV BIL



	PRIMARY VOLTAGE (a)	RATIO	SECONDARY VOLTAGE	150 kV BIL CATALOG NUMBERS	200 kV BIL (b) CATALOG NUMBERS
	24000	200:1	120	PT7-2-150-243	PT7-2-200-243
	27600	240:1	115	PT7-2-150-2762	PT7-2-200-2762
	34500	300:1	115	PT7-2-150-3452	PT7-2-200-3452

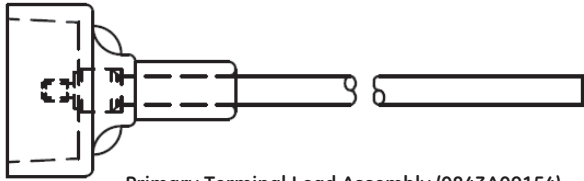
Approved for revenue metering in Canada by industry Canada, Approval No. AE-0677 Rev. 1

Models PT7-2-150 & PT7-2-200 ANSI Group 2

(a) Also available are other ratios and frequencies, double secondaries and units meeting IEC 44-2.

Note: It is recommended that the system line-to-line voltage not exceed transformer maximum system voltage level.

- Primary terminals are 3/8-16 brass screws with one flatwasher and lockwasher. (150 kV BIL only)
- Secondary terminals are 1/4-20 brass screws with one flatwasher and lockwasher.
- The core and coil assembly is vacuum encapsulated in polyurethane resin.
- A primary fuse is not supplied, but is recommended. Use a 34.5 kV, 0.5E rated fuse.
- A test card is provided with each unit.



Primary Terminal Lead Assembly (0843A09154)

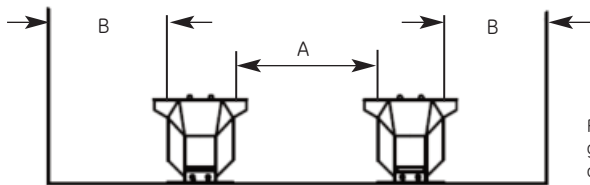
- Supplied with 200 kV BIL units only (Not available for 150 kV BIL Units)
- 10-32 threaded connector, insulating boot, and lead wire included
- Lead wire in No. 10 AWG rated 600 volt only
- Lead clearances shown below for PT7-2-200 must be maintained
- 36 inches long unless specified otherwise

RECOMMENDED MINIMUM SPACINGS (Open Delta Connection)

PT7-2-150 (Customer supplied leads must be directed away from the transformer)

A = Unit to Unit = 0.00" minimum. (Open Delta Connection)

B = HV to Ground in Air = 11.50" minimum.

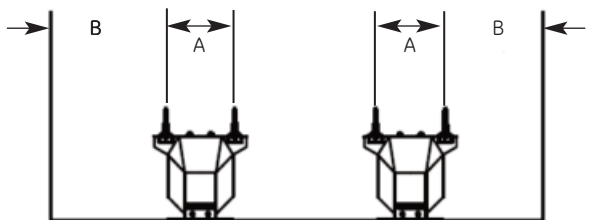


Recommended spacings are for guidance only. User needs to select appropriate values to assure performance for high potential testing, impulse testing, high humidity, partial discharge, high altitude, specific configurations and other considerations.

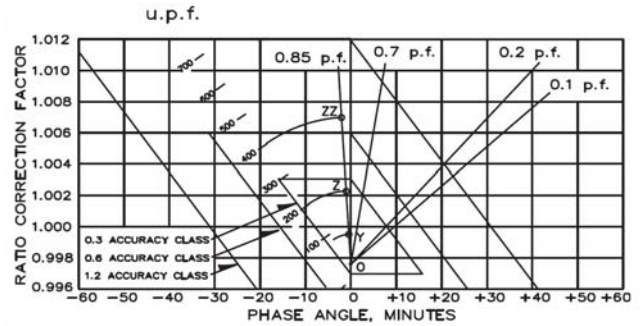
PT7-2-200 (Leads must be directed away from the transformer)

A = Lead to Lead = 14.00" minimum.

B = Lead to Ground in Air = 14.00" minimum.



CIRCLE DIAGRAM



The circle diagram can be used to predict the performance of a transformer for various loads and power factors. A convenient scale of volt-ampere is shown on the unity power factor line (u.p.f.) and commences at the zero or no-load locus. To use the diagram, measure the known V.A. and scribe an arc about the "Zero" locus of a length that contains the angle of the burden power factor. The point at which the arc terminates is the error locus in phase angle minutes and ratio correction factor.

