

# Model BCF-XXX per UL2808

## Split Current Transformer

### mVAC or mA AC Output, 600VAC Rated E361441 (XOBA)

- **Snap and Tilt Top**
- **Accuracy Class +/- 1%**
- **Can be used on bare non-insulated conductors**
- **UL Listed to UL2808, CAN/CSA C22 61010-1-04**
- **Measurement Category III Field Installable**
- **Designed and Manufactured in USA**



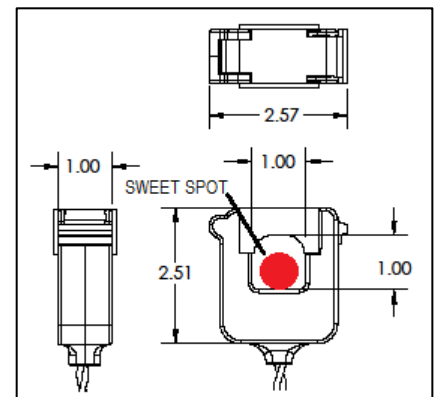
The Model BCF-XXX Split Current Transformer Is an indoor AC voltage output transformer or current output transformer designed with a snap and tilt on top. The BC-XXX uses a high permeability core or nickel core (optional for better performance) and can be provided with 0.1A but contact S] ^&d~ { Qã • dã • Ao order. An Internal transient voltage suppressor is used for shock protection or with an internal shunt resistor to adjust the output voltage to 0.333VAC or 0.250VAC. 8 foot output leads are black and white twisted pair

### Specifications:

- Input current:** AC current, sine wave, single phase 50 or 60Hz (must specify).
- Crest factor:** Set to 1.414 times full scale input current.
- Voltage rating:** 600VAC rms. Tested CAT III, Indoor per CSA C22.2 61010-1.
- AC Voltage Output Type:** 250mV and 333mV.
- AC Current Ratio Type:** Ratio for 0.1A standard (contact S] ^&d~ { Qã).
- Ratio and Linearity Accuracy:** +/- 1 % range 5% to 120% better than 61869 Table 201. Contact U] ^&d~ { for high performance model.
- Phase Displacement:** < 0.5° at full scale per 61869 Table 201.
- Output resistance:** <10 Ohms – to be terminated into high impedance.
- Temperature range:** -40°C to 55°C.
- Altitude:** Up to 2000 meters, **Pollution degree 2** for CAT III.
- Humidity** up to 95% non-condensing.
- Continuous Current Rating Factor:** 1X. Continuous short will not harm product
- Short-Time Thermal Current Rating:** 500A for 1s (1A unit worse case, temp < 100°).
- Construction:** Molded with polycarbonate UL approved plastic.
- Lead wires:** 8 foot black and white twisted pair 18 AWG MTW UL1015, 600V, 105C.

### Applications:

- Secondary Metering
- Power Panels
- Circuit Breaker Panels
- Transformer Monitoring
- Service Entry CT
- Residential Metering
- Revenue Metering
- Industrial Control Panels
- Building Energy Monitoring
- Solar Power Systems
- Clamp On CT
- Inverter Monitoring
- SCADA systems
- Wind Power Systems
- Smart Grid
- Electrical Energy Monitoring
- Computer Center Energy
- Edison Panel Monitoring
- Category III
- Category IV



Part Number	Input Amps XXX	YYY= mV Out	YYY= mA Out
BCF-15A-YYY	15	250 OR 333.3	Contact S] ^&d~ {
BCF-20A-YYY	20		
BCF-25A-YYY	25		
BCF-30A-YYY	30		
BCF-50A-YYY	50		
BCF-70A-YYY	70		
BCF-75A-YYY	75		
BCF-100A-YYY	100		
BCF-125A-YYY	125		
BCF-150A-YYY	150		
BCF-200A-YYY	200		
BCF-250A-YYY	250		
BCF-300A=YYY	300	250 OR 333.3	Contact S] ^&d~ {