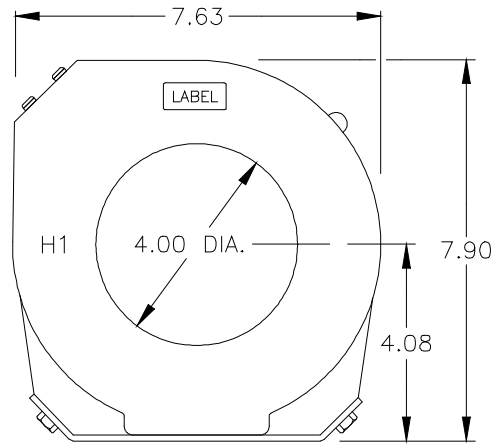
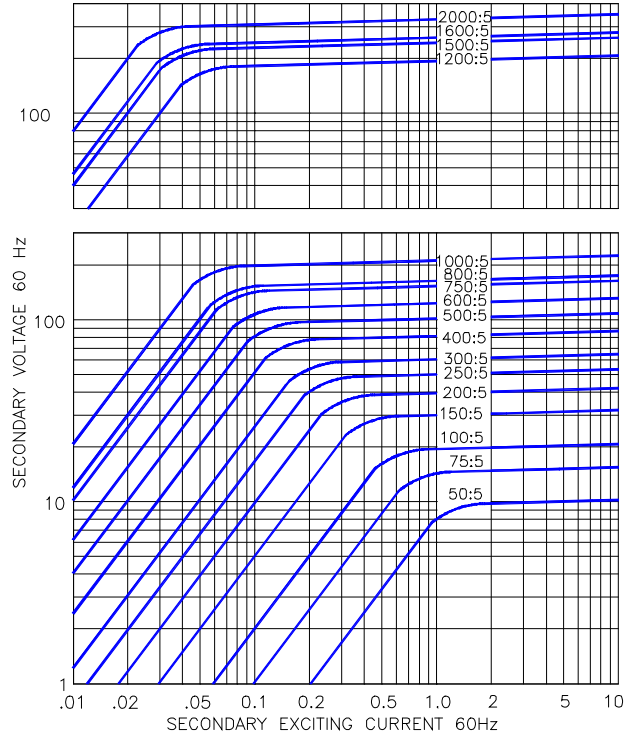


Model 788

EXCITATION CURVE



BASEPLATE HAS
(4) 0.47 SQUARE HOLES
FOR CAPTIVE NUTS

