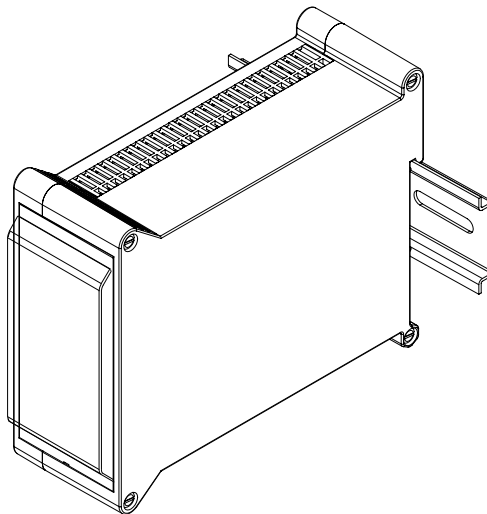
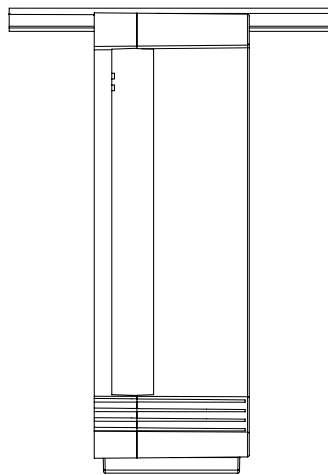


## Installation Guidelines

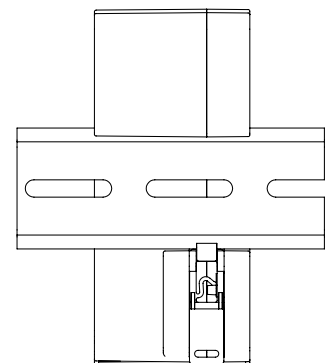
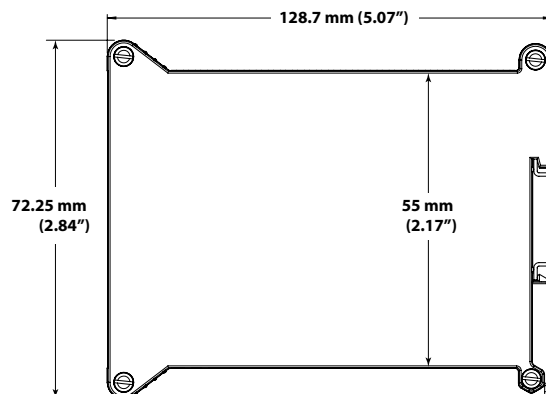
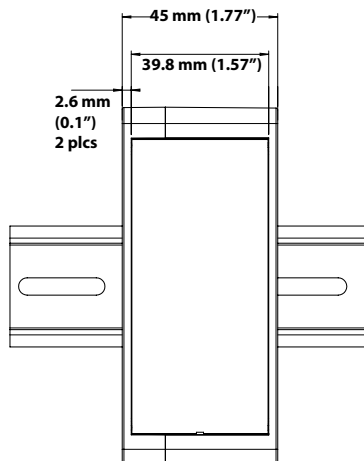
1. Install and wire meter per local applicable codes/regulations, the particular application, and good installation practices.
2. Install meter in a location that does not exceed the maximum operating temperature and that provides good air circulation.
3. Separate input/output leads from power lines to protect the meter from external noise. Input/output leads should be routed as far away as possible from contactors, control relays, transformers and other noisy components. Shielding cables for input/output leads is recommended with shield connection to earth ground near the meter preferred.
4. A circuit breaker or disconnect switch is required to disconnect power to the meter. The breaker/switch should be in close proximity to the meter and marked as the disconnecting device for the meter or meter circuit. The circuit breaker or wall switch must be rated for the applied voltage (e.g., 120VAC or 240VAC) and current appropriate for the electrical application (e.g., 15A or 20A).
5. See *Case Dimensions* section for panel cutout information.
6. See *Connector Pinouts* section for wiring.
7. Use 28-12 AWG wiring, minimum 90°C (HH) temperature rating. Strip wire approximately 0.3 in. (7-8 mm).
8. Recommended torque on all terminal plug screws is 4.5 lb-in (0.51 N-m).



## Case Dimensions

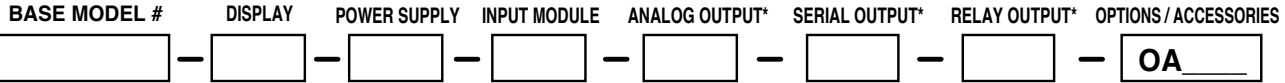


45mm CASE





# Tiger TI-500 Series Ordering Info



Add to the base model number the order code suffix for each standard option required. The last suffix is to indicate how many different special options and or accessories that you may require to be included with this product. \*Except when the Ethernet serial output option is selected, a meter ordered with any of these outputs requires an Output Module Carrier Board which should be automatically included with the order, with an additional charge of \$8. (See special Options and Accessories section)

**Ordering Example: TI500-GSP-PS1-IA01-AIC-OR12-OA2 (CR-CHANGE + COA-4.5/5/6) >> \$170 + N/C + N/C + 40 + 60 + 70 + 8 + 22 = \$370**

Base Model Number	Description	US\$ List
TI-500	45x72mm, No Display, Setpoints indicator only	\$170
TI-501	45x72mm, 6 Digit, E Version	\$260
TI-502	96x48mm, 6 Digit, Alphanumeric, E Version	\$320
TI-503	96x48mm, 6 Digit, LCD, E Version	\$350

- ▶ Macro programming (Custom Autonomous Application) capability option. add ..... \$ 100
- ▶ For data logging option use OR91 ..... \$175

## STANDARD OPTIONS FOR MODELS LISTED ABOVE

Order Code Suffix	Description	US\$ List
-------------------	-------------	-----------

- ▶ DISPLAY
- GSP ..... No Digit Display, 6 set points ..... \$0
- R ..... 1 x Red LED, 0.31 inch high ..... \$0
- RR ..... 2 x Red LED, 0.31 inch high ..... \$0
- RRR ..... 3 x Red LED, 0.31 inch high ..... \$0
- B ..... 1 x Bright Red LED, 0.31 inch high ..... \$25
- BB ..... 2 x Bright Red LED, 0.31 inch high ..... \$50
- BBB ..... 3 x Bright Red LED, 0.31 inch high ..... \$75
- G ..... 1 x Green LED, 0.31 inch high ..... \$10
- GG ..... 2 x Green LED, 0.31 inch high ..... \$20
- GGG ..... 3 x Green LED, 0.31 inch high ..... \$30
- Custom ... 3 x LED, 0.31 inch high, custom color combination... Call

- ▶ POWER SUPPLIES
- PS1 ..... 85-265VAC/95-370VDC ..... \$0
- PS2 ..... 15-48VAC/10-72VDC ..... \$35

- ▶ INPUT MODULES
- Unless otherwise specified Texmate will ship all modules precalibrated with factory preselected ranges and/or scalings as shown in **BOLD** type.
- IA01 .. AC-Volts Scaled RMS, 200/**300V** AC ..... \$40
- IA02 .. AC-Volts Scaled RMS, 200mV/**2V/20V** AC ..... \$40
- IA03 .. AC-mA Scaled RMS, **2/20/200mA** AC ..... \$45
- IA04 .. AC-Amps Scaled RMS, **0-1 Amp AC (0-100.00)** ..... \$45
- IA05 .. AC-Amps Scaled RMS, **0-5 Amp AC (0-100.00)** ..... \$45
- IA06 .. AC-Volts True RMS, 200/**300V** AC ..... \$65
- IA07 .. AC-Volts True RMS, 200mV/**2V/20V** AC ..... \$65
- IA08 .. AC-mA True RMS, **2/20/200mA** AC ..... \$65
- IA09 .. AC-Amps True RMS, **0-1 Amp AC (0-100.00)** ..... \$65
- IA10 .. AC-Millivolt, Scaled RMS, **100mV AC** ..... \$65
- IA11 .. AC-Amps True RMS, **0-5 Amp AC (0-100.00)** ..... \$65
- IA12 .. AC-Millivolt, True RMS, **100mV AC** ..... \$65
- IC02 .. Quadrature Counter ..... \$110
- IC03 .. Quadrature Counter with Dual SSRs ..... \$120

- ID01 .. DC-Volts, **2/20/200V/Custom** w/24V DC Exc. .... \$30
- ID02 .. DC-Millivolt, **20/50/100/200mV** DC w/24V DC Exc. .... \$40
- ID03 .. DC-Milliamp, **2/20/200mA** DC w/24V DC Exc ..... \$30
- ID04 .. DC-Amps, **5A DC** ..... \$60
- ID05 .. DC-Volts **2/20/200/Custom** V DC w/Offset and 24V Exc. .... \$50
- ID06 .. DC-Volts **2/20/200/Custom** V DC w/Ext.Decimal Select ..... \$45
- ID07 .. DC-Milliamp, **2/20/200mA** DC w/Offset and 24V Exc ..... \$40
- ID08 .. DC-Volts, **2/20/200/Custom** V DC w/Ext.LIN Table Select ..... \$45
- ID09 .. DC-Amps, **1A DC** ..... \$60
- IDC1 .. Dual Input, Counter ..... \$85
- IDD1 .. Dual Input, Volts DC/Volts DC, **2V DC** ..... \$75

- IDD2 .. Dual Input DC-Millivolts, **50mV DC(100.00)** ..... \$75
- IDD3 .. Dual Input DC-Milliamps, **2mA DC** ..... \$75
- IDD4 .. Dual Input, Volts/millivolts **2V/50mV DC(100.00)** ..... \$75
- IDD5 .. Dual Input DC Volts and 4-20 mA ..... \$75
- IDD6 .. Dual Input DC mV and 4-20 mA ..... \$75
- IDF2 .. Dual Frequency ..... \$95
- IDP1 .. Dual Process Loop Input, **4-20mA (0-100.00)** ..... \$75
- IDP2 .. Dual Input, 3-wire RTD / **4-20mA (0-100.00)** ..... \$75
- IDP3 .. Dual Input, K/R/S/T/J Thermocouple / **4-20mA(0-100.00)** ..... \$75
- IDR1 .. Dual Resistance Input, **0.2/2/20KΩ** ..... \$75
- IDS1 .. Dual Strain Gage Input, **4 wire 2mV/V** ..... \$145
- IDS2 .. Dual Pressure Input, **4 wire 2mV/V** ..... \$145
- IDS3 .. Dual Input, Strain Gage and Frequency ..... \$110
- IDT1 .. Dual Thermocouple Input **J/K/R/T** ..... \$85
- IDT2 .. Dual RTD Input, 2- and 3-wire, **100Ω Pt.** ..... \$75
- IDT3 .. Dual Input, 3-wire RTD / **Volts 2V DC** ..... \$75
- IDT4 .. Dual Input, Thermocouple / Volts **2V DC** ..... \$75
- IDT5 .. Dual Input, K/R/S/T/J Thermocouple / DC-Millivolts, 50mV DC ..... \$75
- IDT6 .. Dual Input, Thermocouple and Load Cell ..... \$110
- IF06 .. Line Frequency, 50-300VAC ..... \$65
- IF10 .. Universal Frequency / RPM / UP DOWN Counter ..... \$65
- IGYX\* .. Direct Pressure (Abs. or Differential/Gage) with 2 Digital Inputs ..... \$145
- IGYY\* .. Dual Direct Pressure (Absolute or Differential/Gage) ..... \$200
- IGYZ\* .. Universal Direct Pressure ..... \$130
- \*Call Texmate prior to ordering to determine the value for Y & Z (IGAA to IGKZ)
- IH01 .. pH Indication w/ Manual Temperature Compensation ..... \$65
- IH02 .. pH Indication w/ Automatic Temperature Compensation ..... \$110
- IP01 .. Process Loop, **4-20mA (0-100.00)** ..... \$40
- IP02 .. Process Loop, **4-20mA(0-100.0)** w/24VDC Exc ..... \$50
- IP03 .. Process Input, **1-5V DC(0-100.00)** w/Offset, 24V Exc ..... \$50
- IP06 .. Process Loop, **4-20mA(0-100.00)** w/24VDC Exc and Autocal. .... \$50
- IP07 .. Universal Process **2V/5V/10V/20V/200V/2mA/20mA/Custom** ..... \$35
- IP08 .. Universal Process **2V/5V/10V/20V/200V/2mA/20mA/Custom** w/Autocal. .... \$65
- IP09 .. Process Loop, **4-20mA (0-100.00)** w/ External Lin Table select ..... \$45
- IP10 .. Process + 3 Digital Inputs ..... \$85
- IQD1 .. Quad DC Volts, 2V DC ..... \$145
- IQD2 .. Quad DC-Millivolts, 50mV DC(100.00) ..... \$145
- IQP1 .. Quad Process Loop, 4-20mA (0-100.00) ..... \$145
- IQT2 .. Quad RTD Input, 2-Wire, 100Ω Pt. .... \$145
- IQT4 .. Quad RTD Input, 4-wire, 100Ω Pt. .... \$145
- IQT5 .. Quad - Thermocouple / V / V / Frequency ..... \$145
- IR01 .. Resistance, 2-, **3-**, or 4-Wire, 200Ω/**2KΩ/20KΩ** ..... \$40
- IR02 .. 3-Wire Potentiometer 1KΩ min (0-F.S.) ..... \$45
- IR03 .. Linear Potentiometer, 3-wire, 1KΩ min ..... \$45
- ISD1\* .. Smart DC Volts, High Speed 16 bit, 1, 10, 50, 200, 400, 800 Hz update rates ..... \$75
- ISD2\*\* .. Smart DC Volts, High Speed 16 bit, 1, 10, 60, 240, 480, 960 Hz update rates ..... \$75
- ISD3\* .. Smart DC Volts, High Speed 16 bit, 1Hz to 800Hz w/dual isolated SSRs. .... \$120
- ISD4\*\* .. Smart DC Volts, High Speed 16 bit, 1Hz to 960Hz w/dual isolated SSRs. .... \$120
- ISD5\* .. Smart DC Volts, Hi Resolution & Accuracy 24 bit (1 million counts) 1-400Hz. .... \$200
- ISD6\*\* .. Smart DC Volts, Hi Resolution & Accuracy 24 bit (1 million counts) 1-480Hz. .... \$200
- ISD7\* .. Smart DC Volts, Hi Resolution & Accuracy 24 bit 1-400Hz w/dual isolated SSRs. .... \$245
- ISD8\*\* .. Smart DC Volts, Hi Resolution & Accuracy 24 bit 1-480Hz w/dual isolated SSRs. .... \$245
- ISD9 .. Smart Voltage Resistance ..... \$145
- ISDA\* .. Smart Dual Input DC Volts, 16 bit, 1Hz to 20Hz update (50 Hz rejection) .. \$115
- ISDB\*\* .. Smart Dual Input DC Volts, 16 bit, 1Hz to 20Hz update (60 Hz rejection) .. \$115
- ISL1\* .. Smart Dual LVDT (50 Hz rejection) ..... \$225
- ISL2\*\* .. Smart Dual LVDT (60 Hz rejection) ..... \$225
- ISM1 .. Smart Magnetostrictive (Recommended for Macro opt. meters). .... \$145
- IS01 .. Strain Gage 5/10VDC Exc., **20/2mV/V, 4/6-wire** ..... \$65
- IS02 .. Pressure 5/10VDC Exc., **20/2mV/V, 4- or 6-wire** ..... \$65
- IS03 .. Pressure 5/10VDC Exc., **20/2mV/V, 4/6-wire** w/Autocal ..... \$75



# Tiger TI-500 Series Ordering Info Continued

Order Code Suffix	Description	US\$ List
IS04	Pressure Ext Exc., 20/2mV/V, 4- or 6-wire	\$50
IS05	Pressure/Load Cell 20/2mV/V, 5/10V Exc 4-wire	\$65
IS06	Pressure/Load Cell Ext Exc., 20/2mV/V, 4-wire	\$65
IS07	Pressure 20/2mV/V with High Impedance and External Excitation	\$75
ISR1*	Smart Single 3-wire Potentiometer (50 Hz)	\$120
ISR2**	Smart Single 3-wire Potentiometer (60 Hz)	\$120
ISR3*	Smart Dual 3-wire Potentiometer (50 Hz)	\$145
ISR4**	Smart Dual 3-wire Potentiometer (60 Hz)	\$145
ISS1*	Smart Pressure/Load Cell. Standard Resolution 16 bit (50 Hz rejection)	\$90
ISS2**	Smart Pressure/Load Cell. Standard Resolution 16 bit (60 Hz rejection)	\$90
ISS3*	Smart Pressure/Load Cell. Hi Res & Accuracy 24 bit (50 Hz rejection)	\$175
ISS4**	Smart Pressure/Load Cell. Hi Res & Accuracy 24 bit (60 Hz rejection)	\$175
ISS5*	Dual Smart Pressure/Load Cell. Standard Resolution 16 bit (50 Hz rejection)	\$145
ISS6**	Dual Smart Pressure/Load Cell. Standard Resolution 16 bit (60 Hz rejection)	\$145
ISS7*	Smart Quad Pressure/Load Cell (50 Hz)	\$175
ISS8**	Smart Quad Pressure/Load Cell (60 Hz)	\$175
ISS9	Smart Dual Input, Load Cell and Process (4-20mA)	\$110
ISSA	Smart Quad Potentiometer/Resistance	\$175
ISSB	Smart Dual Input, Load Cell and RTD	\$110
ISSC*	Smart Triple Input, Load Cell and two Digital Inputs (Frequency/Counter)	\$145
ISSD**	Smart Triple Input, Load Cell and two Digital Inputs (Frequency/Counter)	\$145
IST1*	Smart Six Inputs, 3 Pt 100 RTD, 2 Process and 1 Digital Input (50 Hz)	\$175
IST2**	Smart Six Inputs, 3 Pt 100 RTD, 2 Process and 1 Digital Input (60 Hz)	\$175
IST3*	Smart Quad Thermocouple (50 Hz)	\$175
IST4**	Smart Quad Thermocouple (60 Hz)	\$175
IST5*	Smart Dual RTD with 0.01 degree resolution (50 Hz)	\$145
IST6**	Smart Dual RTD with 0.01 degree resolution (60 Hz)	\$145
IST7*	Smart Triple RTD with 0.01 degree resolution (50Hz)	\$165
IST8**	Smart Triple RTD with 0.01 degree resolution (60Hz)	\$165
IT01	Thermocouple Input, J/K/R/S/T/B/N	\$35
IT02	RTD, 100Ω Pt. 2-, 3-, or 4-wire	\$40
IT03	RTD, 100Ω Pt. 2/3/4-wire (-200 to 800°C)	\$45
IT04	RTD, 100Ω Pt. 2/3/4-wire (-200 to 1470°F)	\$45
IT05	RTD, 100Ω Pt. 2/3/4-wire (-199.9 to 199.9°F)	\$45
IT12	RTD, 120Ω Nickel 2/3/4-wire	\$40
IT13	RTD, 10Ω Copper 2/3/4-wire	\$40
IT14	RTD, 100Ω Pt. 2/3/4-wire (-199.9 to 199.9°C)	\$45
ITD1	Triple DC Volts, 2V DC	\$110
ITD2	Triple DC-Millivolts, 50mV DC(100.00)	\$110
ITP1	Triple Process Loop, 4-20mA (0-100.00)	\$110
ITT1	Triple Thermocouple	\$110
ITT2	Triple RTD Input, 2-wire, 100Ω Pt	\$110
ITT3	Triple Input, Dual Thermocouple J/K/R/S/T/B/N and DCV 2V	\$110
ITT4	Triple Input, Dual Thermocouple J/K/R/S/T/B/N and 4 to 20mA	\$110
ITT5	Triple Input, Dual Thermocouple J/K/R/S/T/B/N and DC MV	\$110
ITT6	Triple Input, Thermocouple J/K/R/S/T/B/N and Dual DC MV	\$110
ITT7	Triple Input, Thermocouple J/K/R/S/T/B/N and Dual DC Volts	\$110
ITT8	Triple Input, Thermocouple J/K/R/S/T/B/N and Dual 4-20mA	\$110
ITT9	Triple Input, Thermocouple J/K/R/S/T/B/N and DC Volt and DC MV	\$110
ITTA	Triple Input, Thermocouple J/K/R/S/T/B/N and 4-20mA and DC MV	\$110
ITTB	Triple Input, Thermocouple J/K/R/S/T/B/N and 4-20mA and DC Volt	\$110
ITTC	Triple RTD Input, 4-Wire, 100Ω Pt	\$110
ITTE	Triple - RTD / RTD / Frequency	\$145
ITTF	Triple Input, Thermocouple / 4-20mA / Frequency	\$110
ITTG	Triple Input, Thermocouple / V / Frequency	\$110
IW01	Single Phase Power (Watts, V, A, Hz, PF, Whr) <b>300V/1A</b> , 600V/1A	\$85
IW02	Single Phase Power (Watts, V, A, Hz, PF, Whr) <b>300V/5A</b> , 600V/5A	\$85
IW03	DC-Watts, <b>200V DC/50mV DC</b> from Shunt ( <b>0-100.00</b> )	\$85

**\*Optimized for 50 Hz rejection. \*\*Optimized for 60 Hz rejection.**

**▶ ANALOG OUTPUT**

AIC	Isolated 16 Bit Current Output, 4-20mA	\$60
AIV	Isolated 16 Bit Voltage Output, 0-10VDC	\$60
ADC	Isolated 16 Bit Current Output, Dual 4-20mA	\$105
ADV	Isolated 16 Bit Voltage Output, Dual 0-10VDC	\$105

**▶ SERIAL OUTPUT** PC Based configuration Utility software is available for free download from [www.texmate.com](http://www.texmate.com).

S1	USB Communication	\$70
S2	Isolated ASCII Code RS-232 (Requires Cable, See Accessories)*	\$75
S3	USB Communication - MODBUS	\$165
S4	Isolated ASCII Code RS-485 (Requires Cables, See Accessories)*	\$85

Order Code Suffix	Description	US\$ List
S5	Isolated ModBus Protocol RS232 (Requires Cables, See Accessories)*	\$100
S6	Isolated ModBus Protocol RS485 (Requires Cables, See Accessories)*	\$110

**Ethernet**

S8 . . . Ethernet Output includes a special Output Carrier Board that accepts analog outputs and relay output modules . . . . . \$175

S9 . . . ModBus Ethernet Outout ,includes a special Output Carrier Board that accepts analog outputs and relay output modules . . . . . \$220

### ▶ RELAY OUTPUT MODULES

\*If a meter is ordered with a Relay Output Module, but without Analog or Serial Output, an Output Module Carrier Board for \$8 should be automatically added to the order.

OR11	One 9 Amp Form C Relay, Isolated	\$35
OR15	One 9 Amp Form C and Two 4 Amps Form A Relays	\$85
OR16	One 9 Amp Form C and One 4 Amp Form A Relays	\$65
OR12	Two 9 Amp Form C Relays, Isolated	\$70
OR14	Two 9 Amp Form C and Two 4 Amps Form A Relays	\$120
OR23	Two 9 Amp Form C and One 4 Amp Form A Relay, Isolated	\$100
OR25	One 9A Form C and Two 4A Form A Relays, Isolated	\$85
OR31	One 4 Amp Form A Relay, Isolated	\$30
OR32	Two 4 Amp Form A Relays, Isolated	\$60
OR33	Three 4 Amp Form A Relays, Isolated	\$80
OR34	Four 4 Amp Form A Relays, Isolated	\$105
OR45	Five 4 Amp Form A Relays, common in groups of three	\$125
OR46	Six 4 Amp Form A Relays, common in groups of three	\$150

### Solid State Relay (SSR) Output Modules DC Only

OR51	One 400V DC Solid State Relay (SSR) 210mA	\$30
OR52	Two 400V DC Solid State Relays (SSR) 210mA	\$60
OR53	Three 400V DC Solid State Relays (SSR) 210mA	\$80
OR54	Four 400V DC Solid State Relays (SSR) 210mA	\$105

### Open Collector / TTL / 5V DC Outputs to Drive External SSRs or Logic Input Devices

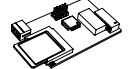
OR71	Six 5V DC 50mA outputs	\$40
OR72	Six open collector outputs	\$40

### Opto Isolated I/O Modules for Connecting to External Breakout Box

OR81	Six Outputs & Six Inputs (Macro option Only)	\$140
OR82	Sixteen Outputs & Six Inputs (Macro option Only)	\$200

### Data Acquisition Module with Removable Flash Card Memory and Two SSR Outputs

OR91	Module with 2G SD Card Memory	\$175
------	-------------------------------	-------



## SPECIAL OPTIONS AND ACCESSORIES

Part Number	Description	US\$ List
-------------	-------------	-----------

### ▶ SPECIAL OPTIONS

#### Output Module Carrier Boards

\*One carrier board must be ordered with any meter that includes any one or more of the following options: Analog Output, Serial Output and/or Relay Output Modules. The exception is when the Ethernet option is ordered, as it includes a special Output Carrier Board that accepts analog output options and relay output modules.  
SA-TI/CB . . . . . Output Module Carrier Board, TI series . . . . . \$8

#### Range Change and Custom Scaling

Customer must specify the input signal range or digital span and the desired display range, or output signal range. Multiple inputs, outputs or multiple displays require a separate range change or custom scaling part # and a specified channel for each input, output or display.

**Range Change** and calibration to another header selectable standard range.  
CR-CHANGE . . Range Change from Standard Range shown in **BOLD** type . . \$8

**Display Custom Scaling** within any header selectable input range of module or a combination of module and the software scaling capability of the meter.  
CS-4.5/5/6 . . . . Custom display scaling within standard ranges. . . \$22

**Output Custom Scaling** within standard ranges of analog output.  
COA-4.5/5/6 . . Custom scaling of analog output. . . . . \$22



# Tiger TI-500 Series Ordering Info

Continued

**Order Code Suffix**      **Description**      **US\$ List**

### Custom Selectable Range Installation or Modification

- CSR-SETUP . . . NRC to set-up custom selectable range. . . . . \$40
- CSR-INSTL . . . Factory installation - custom configuration, specify serial # CSR- . . . . . \$12

### Custom Special Scaling Beyond the Standard Range

- CSS-SETUP . . . NRC to set-up custom special scaling . . . . . \$40
- CSS-56/INSTL. Installation - for 4.5, 5.0 and 6.0 meters, specify serial # CSS- . . . . . \$35

### Custom Output - Relays Installed in Non-Standard Locations

- COR-SETUP . . . NRC to set-up Relays in non-standard locations . . . . . \$20
- COR-INSTL . . . Installation - Relays in non-standard locations , specify serial # COR- . . . . . \$12

### Custom Configuration of programmable functions, codes, settings, linearization tables and macro programs.

- CCI-SETUP . . . NRC to set-up custom configuration file and issue serial # . . \$45
- CCI-INSTL . . . Factory installation - custom configuration, specify serial # CCI- . . \$12
- CLT-SETUP . . . NRC to set-up linearization tables (per 32 points) \$45
- CLT-INSTL . . . Factory installation - linearization tables, specify serial # CLT- . \$12
- CMP-SETUP . . . NRC to set-up ordering of a macro programming (does not include programming of macro code). \$45
- CMP-INSTL . . . Factory installation - macro program, specify serial # CMP- . . \$12

## ACCESSORIES

### Cables/Serial Communications

- OM-CABLE232 . . RS232: DB9 female to RJ6 phone plug adapter plus 6 ft RJ6 cable \$12
- OM-CABLE485 . . RS485: DB9 female to RJ6 phone plug adapter plus 6 ft RJ6 cable \$12
- 91-USB/CBL . . . USB Cable . . . . . \$8

### USB to RS232 Converter

- CV-USB/232 . . . USB to DB9 RS232 Converter . . . . . \$6



CN-DB/9



80-MOD/PLG

- CN-DB/9 . . . . .RJ6F to DB9F Converter . . . . . \$7
- 80-MOD/PLG . . . .6 ft Cable, 6 Pin to 6 Pin RJ6 Plug. . . . . \$5
- CN-6P6C/T . . . .Dual 6 Pin RJ6 Adapter to Daisy Chain RS485 . . . \$6
- 80-RJ/TERM . . . .6 Pin Terminator Plug for RS485 . . . . . \$3
- CN-DB9F/25M . .DB9F to DB25M Converter . . . . . \$7

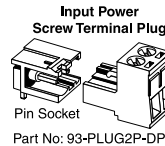
### External Power Supply

- PS-2405 . . . . .24VDC Regulated Power Supply, 0.5A Output . . \$30
- PS-520 . . . . .5VDC Regulated Power Supply, 2A Output . . . \$30

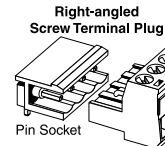
## WARRANTY

Texmate warrants that its products are free from defects in material and workmanship under normal use and service for a period of one year from date of shipment. Texmate's obligations under this warranty are limited to replacement or repair, at its option, at its factory, of any of the products which shall, within the applicable period after shipment, be returned to Texmate's facility, transportation charges pre-paid, and which are, after examination, disclosed to the satisfaction of Texmate to be thus defective. The warranty shall not apply to any equipment which shall have been repaired or altered, except by Texmate, or which shall have been subjected to misuse, negligence, or accident. In no case shall Texmate's liability exceed the original purchase price. The aforementioned provisions do not extend the original warranty period of any product which has been either repaired or replaced by Texmate.

**Order Code Suffix**      **Description**      **US\$ List**



Part No: 93-PLUG2P-DP

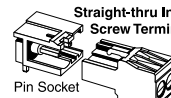


Pin Socket

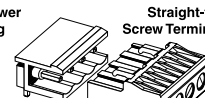
- Part Numbers:
- 93-PLUG2P-DR.....2 pins
- 93-PLUG3P-DR.....3 pins
- 93-PLUG4P-DR.....4 pins
- 93-PLUG5P-DR.....5 pins
- 93-PLUG6P-DR.....6 pins

### Connectors

- 93-PLUG2P-DP . . . Extra Screw Terminal Conn., 2 Pin Power Plug . . . \$2.50
- 93-PLUG2P-DR . . . Extra Screw Terminal Conn., 2 Pin Plug. . . . . \$2.50
- 93-PLUG3P-DR . . . Extra Screw Terminal Conn., 3 Pin Plug. . . . . \$4
- 93-PLUG4P-DR . . . Extra Screw Terminal Conn., 4 Pin Plug. . . . . \$5
- 93-PLUG5P-DR . . . Extra Screw Terminal Conn., 5 Pin Plug. . . . . \$6
- 93-PLUG6P-DR . . . Extra Screw Terminal Conn., 6 Pin Plug. . . . . \$7



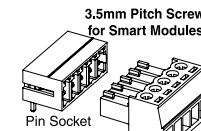
Part Number: 93-PLUG2P-SP



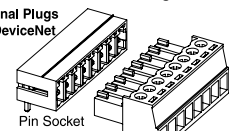
Pin Socket

- Part Numbers:
- 93-PLUG2P-DS....2 pins
- 93-PLUG3P-DS....3 pins
- 93-PLUG4P-DS....4 pins

- 93-PLUG2P-DS . . . Extra Screw Terminal Conn., straight-thru 2 Pin Plug . . . \$2.50
- 93-PLUG3P-DS . . . Extra Screw Terminal Conn., straight-thru 3 Pin Plug . . . \$4
- 93-PLUG4P-DS . . . Extra Screw Terminal Conn., straight-thru 4 Pin Plug . . . \$5



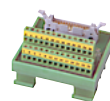
Part Number: 93-PLUG5PS



Part Number: 93-PLUG8PS

- Part Numbers:
- 93-PLUG2PS....2 pins
- 93-PLUG3PS....3 pins
- 93-PLUG5PS....5 pins
- 93-PLUG8PS....8 pins

- 93-PLUG2PS . . . Extra Screw Terminal Conn., 2 Pin Plug, 3.5mm . . \$2.50
- 93-PLUG3PS . . . Extra Screw Terminal Conn., 3 Pin Plug, 3.5mm . . . \$4
- 93-PLUG5PS . . . Extra Screw Terminal Conn., 5 Pin Plug, 3.5mm . . . \$6
- 93-PLUG8PS . . . Extra Screw Terminal Conn., 8 Pin Plug, 3.5mm . . . \$9



OP-TERMBLK26



OM-IDC16/3

### External DIN Rail Mounting Breakout Box

- OP-IDC16/3 . . . . 16 Pin IDC Cable - 3 Feet (using ISS7/8 Input Modules only) . . \$65
- OP-IDC26/3 . . . . 26 Pin IDC Cable - 3' (using OR81/82 Output Modules only) . . . \$75
- OP-RIB16/1 . . . . 16 Pin Ribbon Cable - 1' (using ISS7/8 Input Modules only) . . . Call
- OP-RIB26/1 . . . . 26 Pin Ribbon Cable - 1' (using OR81/82 Output Modules only) Call
- OP-TERMBLK16 . 16 Pin Din Rail Terminal Block (using ISS7/8 IMs only) . . . . \$75
- OP-TERMBLK26 . 26 Pin Din Rail Terminal Block (using OR81/82 OMs only) . . . . \$95

## USER'S RESPONSIBILITY

We are pleased to offer suggestions on the use of our various products either by way of printed matter or through direct contact with our sales/application engineering staff. However, since we have no control over the use of our products once they are shipped, NO WARRANTY WHETHER OF MERCHANTABILITY, FITNESS FOR PURPOSE, OR OTHERWISE is made beyond the repair, replacement, or refund of purchase price at the sole discretion of Texmate. Users shall determine the suitability of the product for the intended application before using, and the users assume all risk and liability whatsoever in connection therewith, regardless of any of our suggestions or statements as to application or construction. In no event shall Texmate's liability, in law or otherwise, be in excess of the purchase price of the product.

Texmate cannot assume responsibility for any circuitry described. No circuit patent or software licenses are implied. Texmate reserves the right to change circuitry, operating software, specifications, and prices without notice at any time.

For product details visit [www.texmate.com](http://www.texmate.com)