



Available in stackable cases (see rear page)



CM-35XT

Loop-Powered Panel Meter
3 1/2 Digit 0.48" LCD
in a Slim Bezel Case

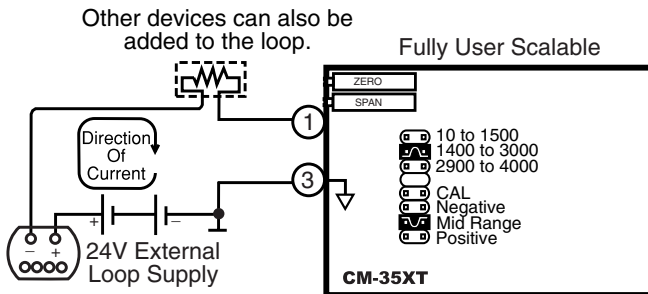
A Multirange, Easily-Scaled, 4-20 mA Process Meter.

General Features

The CM-35XT is specially designed to simplify installation, calibration and scaling. It is one of the CM-Series family of meters. Deriving their operating power from the current loop, these meters require no external power supply. The CM-35XT is a functional replacement for the now obsolete CM-35X meter. Its counterpart, the CM-35XTL, has the same pinout as the CM-35XT but requires only a 1.0V loop drop to operate, making it particularly suitable for current loops that would otherwise exceed their power supply capacity with too many devices connected.

The meters feature Display Hold, Display Test and Auto-Polarity Indication. The polarity indication may be disabled or reversed by repositioning jumper clips on internal header pins. Another feature of the CM-series meters is the 4 1/2 digit LCD display which provides for a non-active trailing dummy zero or a °C/°F descriptor. Descriptor indication may be disabled or re-programmed by repositioning jumper clips on internal header pins.

Typical Application Connections



Compatibility

The CM-Series is shipped in a standard Slim Bezel case. The Slim Bezel case is compatible with the TM, SM, PM, & SP Series of meters. The CM-Series can be ordered in End Mount cases for twin mounting or combinations of multiple center mount cases and two end mount cases for stack mounting.

SLIM



BEZEL

Specifications

- Input Configuration:**Series connection to 4-20mA DC current loop
- Full Scale Ranges:**Standard meter is adjustable to any scaling between -1999 to +1999 or -19990 to +19990 with the dummy zero enabled
- Input Impedance:**5.1 Volts drop, plus 70.8Ω (equivalent to 6.5V Maximum @ 20mA)
- Maximum Overcurrent:**200mA continuous
- A/D Converter:**12 bit dual slope
- Accuracy:**± (0.05% of reading + 2 digits)
- Maximum Resolution:**± 1999 counts
- Gain Temp. Coefficient:**0.2 counts/°C typical
- Zero Temp. Coefficient:**0.15 counts/°C typical
- Conversion Rate:**3 readings per second
- Display:**0.48" Liquid Crystal Display (LCD)
- Descriptors:**Header programmable trailing dummy zero, °C or °F
- Polarity:**Automatically displays either "+" or "-"; header programmable polarity disable and reversal
- Decimal Selection:**User programmable to three positions
- Over-range Indication:**When input exceeds full scale on any range being used, most significant "1" digit and polarity symbol are displayed with all other digits blank.
- Power Supply:**NO SEPARATE POWER SUPPLY IS REQUIRED; as the unit derives its power from the 4-20mA current loop signal
- Operating Temperature:**-20°C to +50°C
- Storage Temperature:**-20°C to +70°C
- Relative Humidity:**95% (non condensing)
- Case Dimensions:**Bezel (2.755"W x 1.170"H) 69.68mmW x 29.72mmH
Depth behind bezel (3.315") 84.2mm
Plus (0.685") 17.4mm for connector
- Weight:**143 gms (5 oz) when packed

CM-Series, The Choice for Loop-Powered Meters

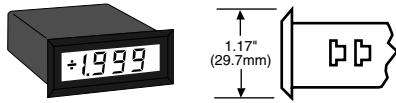
CM-35XT3.5 digit LCD, Loop Powered, 4-20mA (1.0.0.0.0)

CM-35XTL3.5 digit LCD, 1 Volt Drop, Loop Powered, 4-20mA (1.0.0.0.0)

CM Case Dimensions and Panel Cutouts

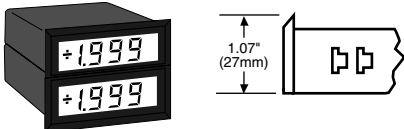
The Slim Bezel Case is supplied as standard. If specified at time of ordering, any combination of Twin Mounting and Multiple Array Cases may be substituted at no additional cost. Extra cases may be ordered separately.

STANDARD SLIM BEZEL CASE

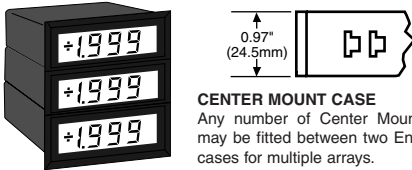


SLIM BEZEL CASE
Standard Black ABS case with matte finish bezel for single unit mounting.
Part No. **SL-CASERED** for LED's
SL-CASECLR for LCD's

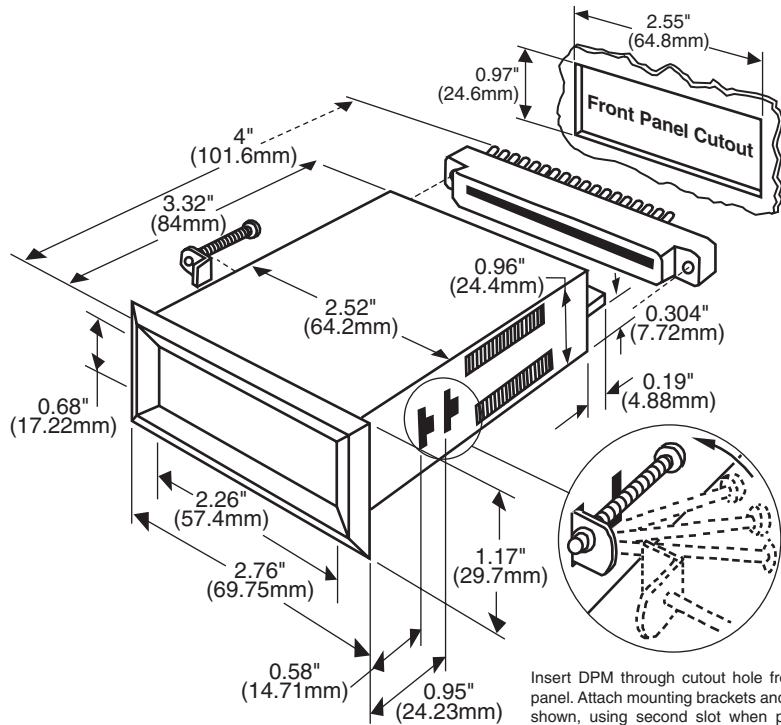
OPTIONAL TWIN MOUNTING OR MULTIPLE ARRAY CASES



END MOUNT CASE
Same styling as Slim Bezel case but with bottom edge of bezel removed. Two End Mount cases can be twin mounted in a single cutout.
Part No. **EM-CASERED** for LED's
EM-CASECLR for LCD's



CENTER MOUNT CASE
Any number of Center Mount cases may be fitted between two End Mount cases for multiple arrays.
Part No. **CM-CASERED** for LED's
CM-CASECLR for LCD's



Insert DPM through cutout hole from front of panel. Attach mounting brackets and screws as shown, using second slot when panel thickness is greater than 1/4 inch. Tighten screws against rear of panel.

Ordering Information

Standard Options for this Model Number

Part Number	Description
► BASIC MODEL NUMBER	
CM-35XT	3.5 digit LCD, Loop Powered, 4-20mA
► SPECIAL OPTIONS (Specify Req. Reading)	
CB-FS35	Non-Std Scale Changes, 3.5 Digit Meters

Special Options and Accessories

Part Number	Description
► ACCESSORIES	
CN-L10	PCB Edge Connector, Solder Type, Dual Row 10 Pins
CN-PUSH/CM	CM Series Push-on Screw Terminal Block Connector
SL.CASECLR	Slim Bezel Case, Clear Faceplate w/Mtg Hardware
CM.CASECLR	Center Mount Case, Clear Faceplate w/Mtg Hardware
EM.CASECLR	End Mount Case, Clear Faceplate w/Mtg Hardware
TB-KIT	Replacement Terminal Block Connector Kit (3)

Many other options and accessories are available. See full price list for details. Prices subject to change without notice.

WARRANTY

Texmate warrants that its products are free from defects in material and workmanship under normal use and service for a period of one year from date of shipment. Texmate's obligations under this warranty are limited to replacement or repair, at its option, at its factory, of any of the products which shall, within the applicable period after shipment, be returned to Texmate's facility, transportation charges pre-paid, and which are, after examination, disclosed to the satisfaction of Texmate to be thus defective. The warranty shall not apply to any equipment which shall have been repaired or altered, except by Texmate, or which shall have been subjected to misuse, negligence, or accident. In no case shall Texmate's liability exceed the original purchase price. The aforementioned provisions do not extend the original warranty period of any product which has been either repaired or replaced by Texmate.

USER'S RESPONSIBILITY

We are pleased to offer suggestions on the use of our various products either by way of printed matter or through direct contact with our sales/application engineering staff. However, since we have no control over the use of our products once they are shipped, NO WARRANTY WHETHER OF MERCHANTABILITY, FITNESS FOR PURPOSE, OR OTHERWISE is made beyond the repair, replacement, or refund of purchase price at the sole discretion of Texmate. Users shall determine the suitability of the product for the intended application before using, and the users assume all risk and liability whatsoever in connection therewith, regardless of any of our suggestions or statements as to application or construction. In no event shall Texmate's liability, in law or otherwise, be in excess of the purchase price of the product.

Texmate cannot assume responsibility for any circuitry described. No circuit patent or software licenses are implied. Texmate reserves the right to change circuitry, operating software, specifications, and prices without notice at any time.