

# Current Transformer

**Model IEA5Y**

rev 032916

## CERTIFICATIONS:



ISO 9001  
Registered

Quality  
Management

**APPLICATION:**

Metering

**FREQUENCY:**

50/60 Hz.

**INSULATION LEVEL:**

720 Volts. 10 kV BIL. full wave

**APPROXIMATE WEIGHT:**

0.45 kg

**CONNECTIONS:**

Secondary terminals screw clamp up to 10mm<sup>2</sup> cable. 'Fast on' 6.3mm type. Integral Terminal Cover IP20B

**ENCLOSURE CODE:**

IP40

**INSULATION CLASS:**

Class E BS2757 IEC85

**COMPLIES WITH / APPROVALS:**

IEC60044-1:2003 / BSEN61010-1, EN60044-1

**MOUNTING HARDWARE OPTION:**

Order p/n: IEA5Y-FIXING-KIT



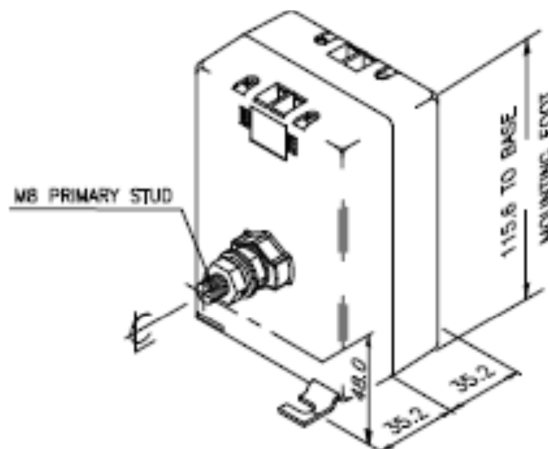
<b>Model</b>	IEA5Y
<b>Window Size</b>	20 x 6mm 21mm diameter
<b>Width</b>	45mm
<b>Height</b>	65mm
<b>Depth</b>	30mm

### MODEL IEA5Y

CATALOG NUMBER	CURRENT RATIO	VA at Class 3	VA at Class 1
IEA5Y-1/5	1:5	7.5	5
IEA5Y-5/5	5:5	7.5	5
IEA5Y-10/5	10:5	7.5	5
IEA5Y-15/5	15:5	7.5	5
IEA5Y-20/5	20:5	7.5	5
IEA5Y-30/5	30:5	7.5	5
IEA5Y-40/5	40:5	7.5	5

Note: Change the end suffix to depict required secondary. For example IEA5Y-30/1.

### DIMENSIONS



Products are manufactured in a plant whose quality management system is certified / registered as being in conformity with ISO 9001