

Model JAD-0C

Indoor/Outdoor Current Transformer 600 V, 10 kV BIL, 200-4,000 A Window Diameter 5.75"

Application

Designed for both indoor and outdoor service. Suitable for operating meters, instruments and control devices. For use on higher voltage circuits with an insulated primary conductor, please refer to the Applications Information section of catalog GEP-9186.



Reference Drawings

Single Ratio Outline		0121C34994
Dual Ratio Outline		0121C35099
Bar Assembly 11 7/8"	1 Bar	0821C35021-1
	2 Bar	0821C35021-2
	3 Bar	0821C35021-3
	4 Bar	0821C35021-4
Bar Assembly 14 1/2"	1 Bar	0821C35021-7
	2 Bar	0821C35021-8
	3 Bar	0821C35021-9
	4 Bar	0821C35021-10
Base Assembly		0221A36647
Flushmount Bracket Kit		0221A38343

Weight

(Approximate)
 Transformer, Window Type13 lbs
 Transformer, Primary-Bar Type17 lbs
 Mounting Base, add2 lbs

Insulation Level

0.6 kV; BIL 10 kV full wave

Frequency

50-60 Hz

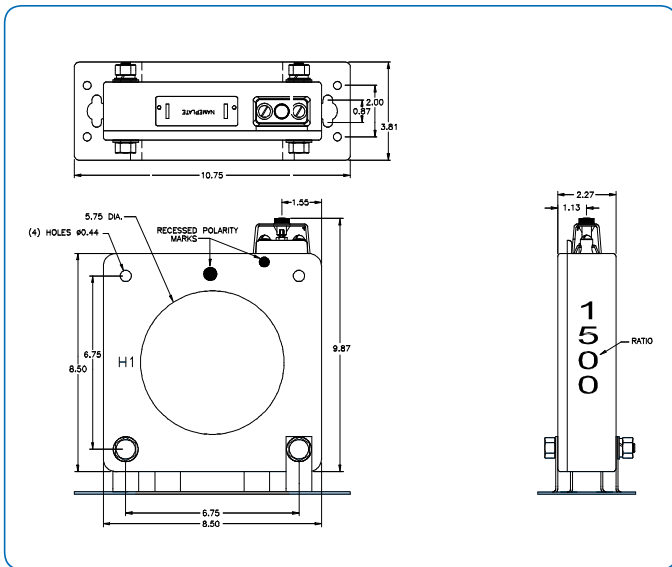
JAD-0C - Window Type Data Table

Current Ratio (Amps) Pri : Sec	ANSI Accuracy Class, 60 Hz Burden Per ANSI					Continuous Thermal Current Rating Factor		Catalog Number Without Mounting Base	Catalog Number Stainless Steel Base Assembled
	B0.1	B0.2	B0.5	B0.9	B1.8	@ 30 °C Amb.	@ 55 °C Amb.		
	Single Ratio								
200:5	0.6	1.2	--	--	--	4.0	3.0	750X120240	750X120260
300:5	0.3	0.6	1.2	--	--	4.0	3.0	750X120241	750X120261
400:5	0.3	0.3	0.6	--	--	4.0	3.0	750X120242	750X120262
500:5	0.3	0.3	0.6	--	--	4.0	3.0	750X120243	750X120263
600:5	0.3	0.3	0.3	--	--	3.0	2.0	750X120244	750X120264
800:5	0.3	0.3	0.3	--	--	3.0	2.0	750X120001	750X120154
1,000:5	0.3	0.3	0.3	0.3	--	2.0	1.5	750X120002	750X120155
1,200:5	0.3	0.3	0.3	0.3	--	2.0	1.5	750X120003	750X120156
1,500:5	0.3	0.3	0.3	0.3	--	3.0	2.0	750X120180	750X120181
2,000:5	0.3	0.3	0.3	0.3	0.3	2.0	1.5	750X120005	750X120158
2,500:5	0.3	0.3	0.3	0.3	0.3	1.5	1.0	750X120006	750X120159
3,000:5	0.3	0.3	0.3	0.3	0.3	1.5	1.0	750X120007	750X120160
4,000:5	0.3	0.3	0.3	0.3	0.3	1.5	1.0	750X120008	750X120161
	Dual Ratio								
600/1,200:5	0.3	0.3	--	--	--	2.0	1.5	750X120025	750X120162
	0.3	0.3	0.3	--	--	2.0	1.5		
800/1,600:5	0.3	0.3	--	--	--	2.0	1.5	750X120026	750X120163
	0.3	0.3	0.3	--	--	2.0	1.5		
1,000/2,000:5	0.3	0.3	0.3	--	--	2.0	1.5	750X120027	750X120164
	0.3	0.3	0.3	0.3	0.3	1.5	1.0		
1,500/3,000:5	0.3	0.3	0.3	--	--	2.0	1.5	750X120028	750X120165
	0.3	0.3	0.3	0.3	0.3	1.5	1.0		
2,000/4,000:5	0.3	0.3	0.3	--	--	2.0	1.5	750X120029	750X120166
	0.3	0.3	0.3	0.3	0.3	1.5	1.0		

JAD-0C - Primary Bar Type Data Table

Current Ratio (Amps) Pri : Sec	ANSI Accuracy Class, 60 Hz Burden Per ANSI					Continuous Thermal Current Rating Factor		Catalog Number Without Mounting Base		Catalog Number Stainless Steel Base Assembled	
	B0.1	B0.2	B0.5	B0.9	B1.8	@ 30 °C Amb.	@ 55 °C Amb.	11 7/8" Bar	14 1/2" Bar	11 7/8" Bar	14 1/2" Bar
800:5	0.3	0.3	0.3	--	--	2.0	1.5	750X120201	750X120221	750X120211	750X120231
1,000:5	0.3	0.3	0.3	0.3	--	2.0	1.5	750X120202	750X120222	750X120212	750X120232
1,200:5	0.3	0.3	0.3	0.3	--	1.5	1.0	750X120203	750X120223	750X120213	750X120233
1,500:5	0.3	0.3	0.3	0.3	--	1.5	1.0	750X120204	750X120224	750X120214	750X120234
2,000:5	0.3	0.3	0.3	0.3	0.3	1.5	1.0	750X120205	750X120225	750X120215	750X120235
3,000:5	0.3	0.3	0.3	0.3	0.3	1.33	1.0	750X120207	750X120227	750X120217	750X120237
4,000:5	0.3	0.3	0.3	0.3	0.3	1.2	0.8	750X120208	750X120228	750X120218	750X120238

JAD-0C Dimensions



Construction and Insulation

The core and coil assembly is encapsulated in resin within a molded case. The case is molded with GE Valox thermo-plastic polyester resin. This tough material has excellent electrical and mechanical properties over a wide temperature range, has low water absorption and is resistant to oil and a variety of chemicals. The polyurethane resin filling completely encapsulates the winding, leads and terminals to form a waterproof unit.

Core and Coils

The core is made from high quality grain oriented silicon steel, annealed under rigidly controlled factory conditions. The secondary windings are evenly distributed around the core for maximum accuracy and resistance to stray fields from adjacent conductors.

Terminals

Secondary terminals are tin plated brass, compression type with a 0.275" diameter cross-hole for wiring and a 1/4-28 clamp screw. A shorting device is provided and interlocked to the terminal cover. The terminal cover is made of a clear plastic. Provision is made for sealing the cover.

Conduit Attachment

A secondary conduit box, in place of the secondary terminal block, is available. It is suitable for outdoor applications. Box and cover are made of aluminum with a black finish. The cover has a gasket and four sealable thumbscrews. Two boxes are required for dual ratio transformers. Please contact the factory for special catalog numbers that accept this option.

Polarity

Primary and secondary marks H1 and X1 are molded into the case.

Primary Conductor

Removable primary bars are formed from 1/4" X 4" tin-plated, flat copper bar, with 1/4" spacing between bars on multiple bar assemblies. The bars are retained by ventilated end caps, which permit the bars to be rotated to any desired orientation and allow the transformer to be supported in a vertical primary arrangement. A potential connector is provided adjacent to one end cap. Primary bars are available in 11 7/8" and 14 1/4" lengths, each provided with four bolt holes at each end.

Nameplates

The nameplate is laser engraved aluminum. It is attached to the top of the unit and has provisions for attaching the user's identifying tag. The nominal current rating is marked on the side of the unit in large numerals.

Baseplate and Mounting

The transformer can be mounted in any position. An optional base plate is available, made of stainless steel plate. It is attached to the transformer with two bolts.

Maintenance

These transformers require no maintenance, other than occasional cleaning if installed where air contamination is severe.