

# RopeCT® AC Current Sensor MCR-124

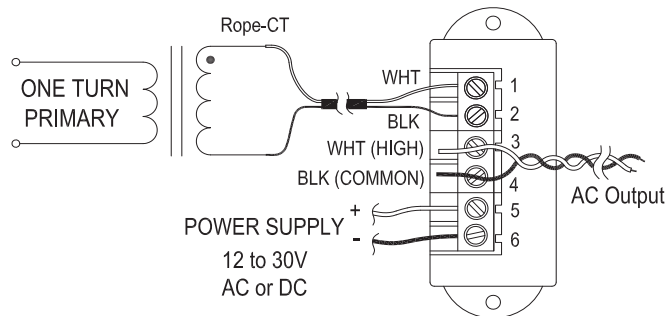
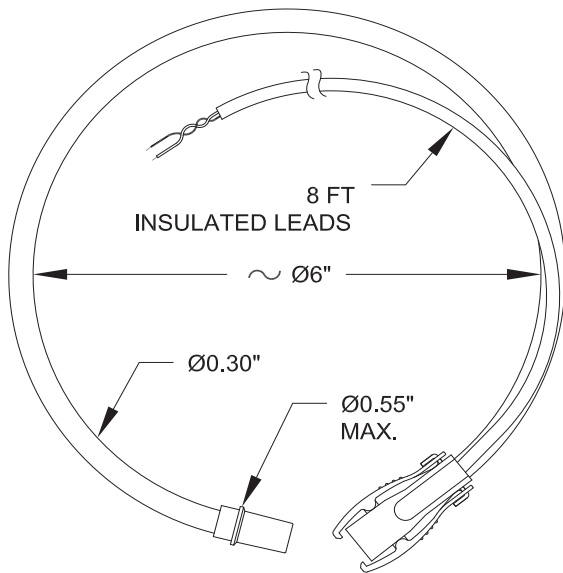
## 12 Inch Rogowski Coil

### Description:

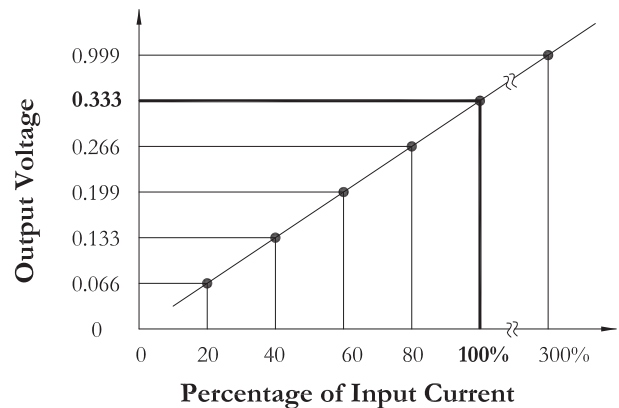
The MCR-124 Series flexible RopeCT® current sensor measures AC current up to 5,000 Amps. The coil opens at the connector junction and can be installed on an existing cable or buss-bar in a matter of seconds.

### Features:

- Inputs: from 250 Amp to 5,000 Amp
- Outputs: of 0.333 Volt at rated current
- Linearity Accuracy 1%
- Accuracy from 100 Amps to 15,000 Amps
- Phase angle < 0.5 degrees
- Integrator requires power supply 12 to 30V AC or DC (not included)
- 8 ft. twisted pair leads, 22 AWG
- Maximum Voltage: 600 V (on bare conductor)
- Custom length, output, and other parameters are available



PART NUMBERING AND RATING	(With Integrator)
MCR124-250-I	250A
MCR124-400-I	400A
MCR124-500-I	500A
MCR124-800-I	800A
MCR124-1000-I	1000A
MCR124-1500-I	1500A
MCR124-2000-I	2000A
MCR124-2500-I	2500A
MCR124-3000-I	3000A
MCR124-4000-I	4000A
MCR124-5000-I	5000A



We reserve the right to modify products to make improvements without advance notice.